



Design Guide

REVISION A – MARCH 27, 2025

Product Overview

Plug-and-Play HeatTrace System for Commercial Freeze Protection, and Roof and Gutter, Downspout, Catch Basin Deicing.

Manufactured By

Powerblanket™, a Thermon Company

Certifications & Compliance



-Ws Usage

Document Version

Revision A | MARCH 2025

Support & Contact

Powerblanket.com

Table of Contents

- 3. Product Description
- 3. Characteristics
- 3. Approvals

Product Overview

- 4. Introduction
- 4. Basis for a Good Design
- 5. ReadyTrace™ Multipliers
- 5. Metal and Tile Roofs
- 6. Shingle Roofs
- 7. Gutters and Downspouts
- 8. Installation Accessories
- 10. Application Details
- 11. Example

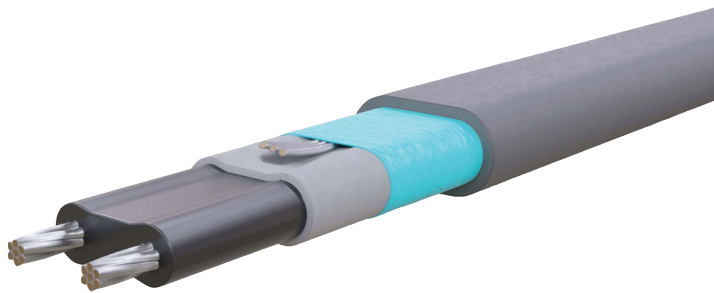
Freeze Protection of Pipes

- 12. Testing
- 12. Thermal Insulation
- 12. Final Inspection
- 12. Maintenance
- 13. Cable Selection
- 14. Electrical Safety
- 15. Warranty Information
- 15. Certifications and Compliance
- 15. Legal Notice
- 15. Support and Contact Information

Product Description

ReadyTrace™ self-regulating heating cable varies its heat output to respond to changes in the surrounding conditions. When covered by snow or ice, the heat output of the cable automatically rises. Conversely, when exposed to dry air, the cable reacts by reducing its heat output. This self-regulating feature occurs along the entire length of a heat tracing circuit to maximize snow and ice melting while conserving energy. To ensure protection during installation and for years of exposure to the elements, ReadyTrace™ includes a tinned copper braid for grounding plus a heavy polyolefin outer jacket containing a UV inhibitor.

For ease of installation, ReadyTrace™ is supplied in a variety of lengths and comes with a standard power cord and plug. ReadyTrace™ can be installed with ordinary hand tools. It attaches to the roof with cable roof fasteners and is routed into gutters and downspouts with cable hangers



Characteristics

- Nickel-plated Copper Bus Wires
- E-Beam Cross-Linked Semiconductive Heating Matrix
- E-Beam Cross-Linked Dielectric Insulation
- Polyolefin over jacket provides additional protection to core
- 5 mA ground fault protection required.

In snow and ice.....26 W/m (8 W/ft) @ 10C (50F)

In dry air.....20 W/m (6 W/ft) @ 10C (50F)

Certifications/Approvals



-WS Usage

ReadyTrace Systems for Roof and Gutter Snow and Ice Melting

Introduction

This design guide provides a basis for designing a roof and gutter snow and ice melting system. The amount of heating cable required, and the performance of the system is highly dependent upon the following design parameters:

- Geographical location of project
- Orientation of building to prevailing wind and weather
- Building design and construction
- Degree of protection required

Basis for a Good Design

The area that will require heat tracing is based somewhat on the size and shape of the building. A building with no overhangs, for example, may only need gutter and downspout protection while an overhang covering a building entrance that is subject to drifting may need complete coverage. Typically, the areas susceptible to snow and ice dams consist of:

- Roof overhangs without gutters
- Roof overhangs with gutters and downspouts
- Gutters and downspouts only

Step 1: Identify the Area Requiring Snow and Ice Melting and Determine Level of Protection Required

Review the plans and/or design of the facility to identify the areas that will require roof and gutter snow and ice melting. To establish the level of protection necessary, decide if the climate/ installation conditions fall into the moderate or heavy levels based on the following variables:

Snowfall Rate	Moderate ≤ 25 mm/hr (≤ 1" /hr)	Heavy 25 - 50 mm/hr (1" - 2" /hr)
Eave-to-Ridge Distance	≤ 6 m ($\leq 20'$)	6 - 12 m (20 to 40')
Size (width) of Gutter	≤ 150 mm (≤ 6 ")	150 - 300 mm (6 - 12")

If any design variable falls into the heavy category, design the system for heavy accumulation to ensure adequate protection for the building. Should weather conditions, the building's design/orientation or the expected usage of the facility dictate, increase the amount of cable to be installed.

Step 2: Select Proper ReadyTrace Cable Based on:

ReadyTrace™ is certified for use in 110-120 VAC and 208-240 VAC, however only 120 VAC is available at this time. ReadyTrace™ is available in the following lengths 6, 12, 18, 24, 36, 50, 75, and 100 ft. Make sure your application has access to 110-120 VAC and requires less than 100 ft of heating cable.

Circuit Breakers

ReadyTrace™ is designed to safely operate on a single 15A GFCI protected circuit. Because start up amps may exceed operating amps, ReadyTrace™ for Roof and Gutter applications should not be powered on below -20°C (-4°F).



Step 3: Specify Locations for Power Connections; Lay Out Cable

1. Outlets for powering the heating cable should be located under a roof overhang or similar area to avoid direct exposure. Provide drip loops where the power feed and heating cables are plugged in.
2. To aid in design, ReadyTrace™ multipliers are given for the most common roofing material types. Use these multipliers, shown in Tables 3.1 through 3.3, to determine the footage of ReadyTrace™ cable required based on the variables indicated. Be sure to add sufficient extra cable to get from the heat traced area back to the power outlet.

Step 4: Choose ReadyTrace Installation Accessories

A ReadyTrace™ roof and gutter system will typically use the installation accessories detailed.

Step 5: Establish Control Method Needed to Operate System

All roof and gutter snow and ice melting systems should be controlled to turn the heating cable on and off as conditions warrant. There are three basic means to activate a roof and gutter system:

1. Manual On/Off Switch—Economical and simple to install; requires diligence on the part of the operator.
2. Ambient Sensing Control—Turns system on and off based on ambient temperature. Heating cable will frequently be energized during non-required times.
3. Automatic Control—Roof or gutter-mounted ice sensor turns system on when moisture is detected, and temperatures are in the range when freezing can occur on roof overhangs or in gutters.

ReadyTrace™ Multipliers

Select a multiplier from the examples shown based on the type of roofing material utilized. If gutters and downspouts will also require protection, be sure to add the cable requirements to the roof overhang footage.

Attention:

Where conditions dictate (heavy snow loads, steep roof slopes, smooth roofing materials or long eave-to-ridge distances), snow fences and/ or snow brakes should be considered to prevent/reduce the potential for damage to the cable and/or facility.

Metal/Tile Roofs

Metal roofing materials such as standing seam or corrugated, as well as tile/concrete roofing materials that have distinct ridges or grooves, must be properly addressed when installing heat tracing. Metal roofs in particular pose an avalanche potential that could damage the heating cable if it were installed in a serpentine pattern. To combat this, the cable is installed parallel to the standing seams or along the length of a corrugation. The partial sketch below depicts ReadyTrace™ cable as it would be installed on a corrugated metal roof. This method would also be used on standing seam or tile roofs.

Any number of attachment methods may be used for holding the heating cable in place. Whichever method is used should take into consideration the integrity of the roof and the heating cable.

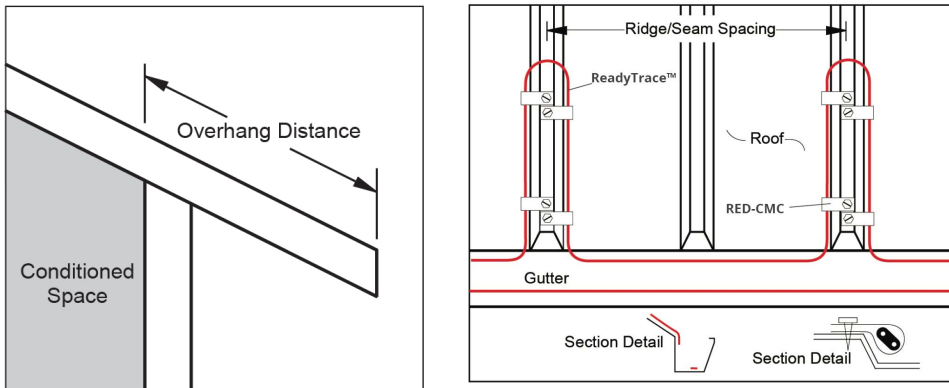
To determine the layout pattern for ReadyTrace™ heating cable on metal or tile roofs, use Table 3.1 in conjunction with measurements of the spacing of the seams, corrugations, or ridges in the roofing material. This spacing, combined with the desired level of protection, will determine what multiplier to use to determine



the footage of cable required. (Heating cable does not have to be installed on every seam, corrugation, etc.) Be sure to add sufficient extra cable to reach the power connection point for each circuit.

To establish the amount of cable required, select the overhang distance that fits the application and follow this row across to the ridge/seam spacing column that corresponds to the roofing material. The number where the row and column intersect is the multiplier for that application. Multiply this number by the number of linear meters (feet) of roof eaves to be protected and add sufficient cable to reach the power outlet plus any additional cable to allow for on-site variations.

How far up the roof the heating cable should travel may be determined by measuring the distance as shown below. The heating cable should loop past the point where an imaginary line extending up from the inside wall would pass through the roof.

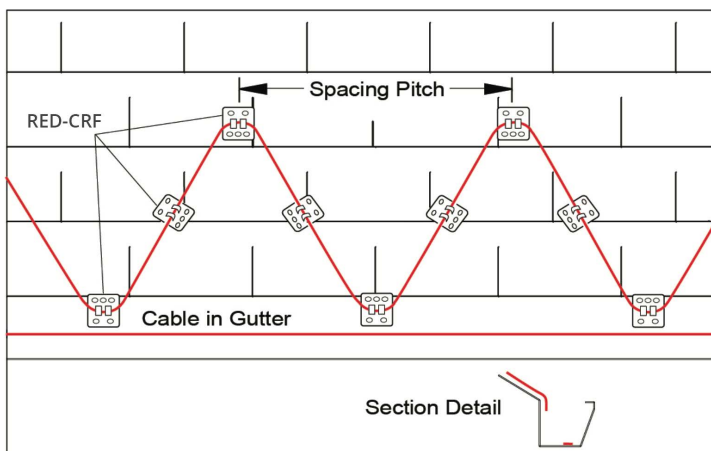


Shingle Roofs

All shingle roofs (fiberglass, cedar shake, flat tile, or concrete shingle) can utilize heating cable installed in a serpentine pattern as detailed in the partial sketch below. The heating cable may be attached to the roof and fascia with cable fasteners (Catalog No. RED-CRF) or similar devices held in place with suitable fasteners or adhesives. Typically, one RED-CRF per peak and one in each linear run of cable greater than 0.6 m (24"). Care should be exercised to maintain the integrity of the roof.

To determine the layout pattern for ReadyTrace™ heating cable on shingle-style roofs, use Table 3.2. Recommended moderate and heavy conditions multipliers have been shaded for each overhang distance. Should conditions dictate a specific pitch, multipliers for additional spacings have been included. Be sure to add sufficient extra cable to reach the power outlet for each circuit.

To establish the amount of cable required, select the row with the corresponding overhang distance and follow across to the multiplier that matches the level of protection desired. After selecting a multiplier, read the corresponding spacing pitch value at the top of the column. Multiply this number by the number of linear feet of roof eave to be protected and add sufficient cable to reach the power supply junction box.



Gutters and Downspouts

ReadyTrace™ heating cable can be utilized in gutters and downspouts regardless of whether heating cable has been installed on the roof. The amount of cable required is based on the width of the gutters, the level of protection desired, and the linear footage of gutters and downspouts. A typical layout is shown below. Additionally, the heating cable end termination should not be located in the lowest portion of the downspout.

Select the level of protection required (based on the size of the gutter) from table 3.3. choose the multiplier which corresponds to the application and apply this multiplier to the footage of gutters and the number and footage of downspouts to be heat traced. Add sufficient heating cable (including a drip loop) to reach the power outlet.

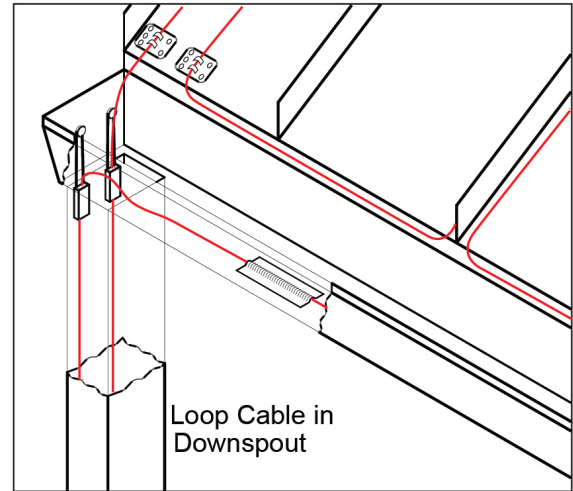


Table 3.1 Metal/Tile Roofs

Overhang Distance	Ridge/Seam Spacing							
	250 mm (10")	300 mm (12")	350 mm (14")	400 mm (16")	450 mm (18")	500 mm (20")	550 mm (22")	600 mm (24")
300 mm (12")	4.2	3.7	3.3	3.0	2.8	2.6	2.5	2.4
450 mm (18")	5.4	4.7	4.2	3.8	3.5	3.2	3.0	2.9
600 mm (24")	6.6	5.7	5.0	4.5	4.1	3.8	3.6	3.4
750 mm (30")	7.8	6.7	5.9	5.3	4.8	4.4	4.1	3.9
900 mm (36")	9.0	7.7	6.7	6.0	5.5	5.0	4.7	4.4

 Heavy Conditions Multipliers

 Moderate Conditions Multipliers

Table 3.2 Shingle Roofs

Overhang Distance	Spacing Pitch							
	350 mm (14")	400 mm (16")	450 mm (18")	500 mm (20")	550 mm (22")	600 mm (24")	650 mm (26")	700 mm (28")
450 mm (18")	3.3	3.0	2.7	2.4	2.3	2.1	nr	nr
600 mm (24")	4.2	3.7	3.3	3.0	2.8	2.6	2.4	2.3
750 mm (30")	5.0	4.4	3.9	3.6	3.3	3.0	2.8	2.7
900 mm (36")	5.8	5.1	4.6	4.1	3.8	3.5	3.3	3.1
1050 mm (42")	6.7	5.9	5.2	4.7	4.3	4.0	3.7	3.5

 Heavy Conditions Multipliers

 Moderate Conditions Multipliers

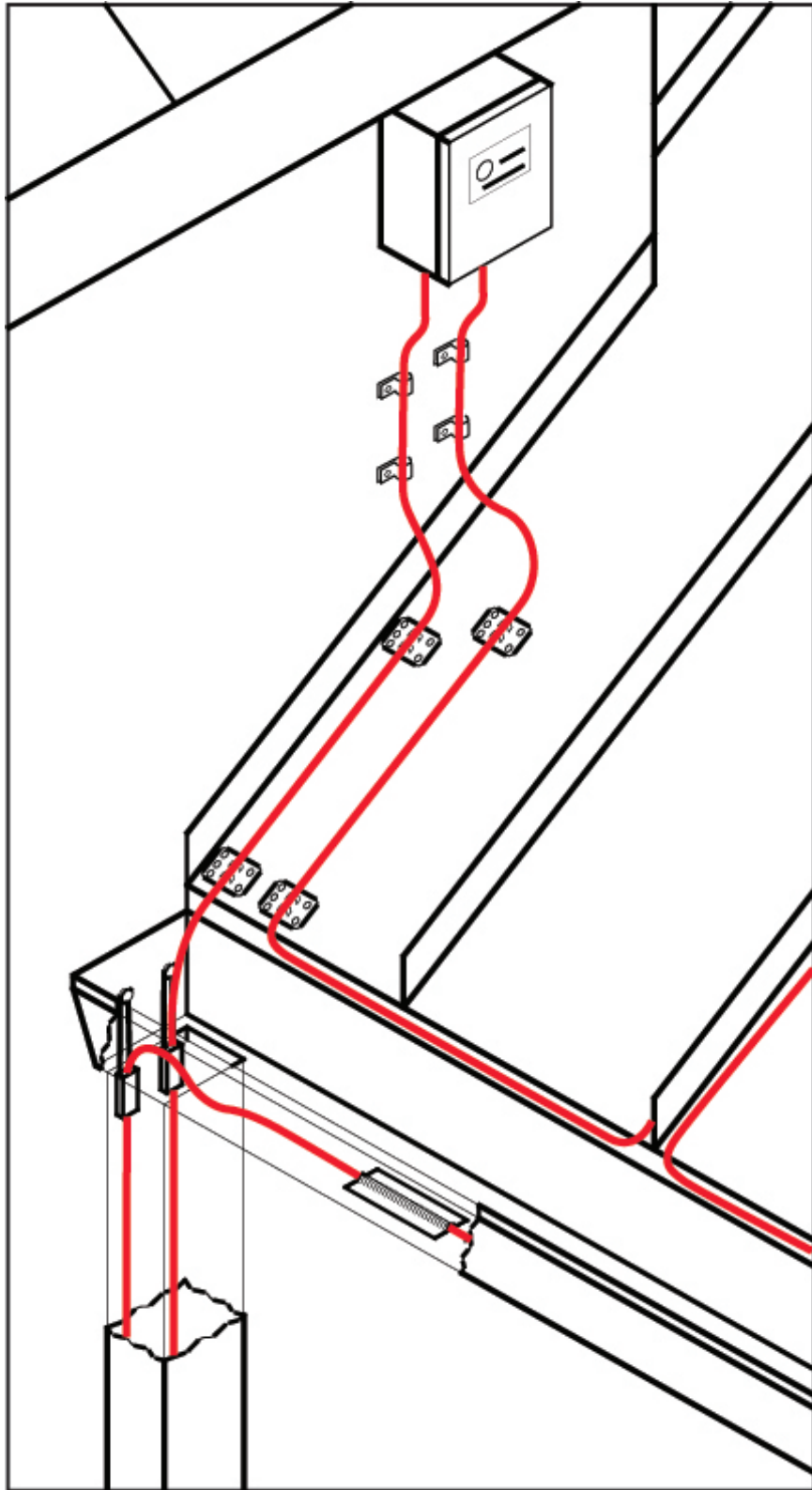
Table 3.3 Gutters and Downspouts

Gutter Width	Gutter Allowance	Downspout Allowance
≤ 150 mm (≤6")	1X Gutter Length	1X Downspout Length
150-300 mm (6-12")	2X Gutter Length	2X Downspout Length
≥300 mm (≥12")	Contact a Thermon Factory Representative	

Installation Accessories

- 1: RED-TC Thermocube™** is a device which, when plugged into a standard 120V AC electrical outlet, will automatically turn power on and off to any device plugged into it. The Thermocube™ will automatically turn on power when air temperature reaches approximately 35°F (2°C) and will turn off the power when the temperature exceeds approximately 45°F (7°C). Thermocube™ is only intended for use in dry locations. A GFCI device is still required when using Thermocube™.
- 2: RED-GFCI** Ground Fault Circuit Interrupter Outlet Adapter (GFCI) allows you to convert your standard power outlet into a GFCI protected outlet with our GFCI adapter. Intended for dry location use.
 - a. **RED-GFCI2** Ground Fault Circuit Interrupter Outlet Adapter (GFCI) allows you to convert your standard power outlet into a GFCI protected outlet with our GFCI adapter. Intended for outdoor use.
- 3: RED-CMC** cable mounting clips secure ReadyTrace™ heating cable to the roof utilizing screws and a waterproof cover material.
- 4: RED-CRF** cable roof fasteners attach ReadyTrace™ heating cable to roof or fascia materials. Can be secured with fasteners or adhesives compatible with roofing material.
- 5: RED-DCH** downspout cable hanger secures heating cable at downspouts to remove strain at lip of downspout/gutter contact point.
- 6: RED-20L** aluminum tape secures heating cable to bottom of clean gutter to keep cable in place during rain.
- 7: GHT2002J** GHT2002J is an adjustable, thermostatic controller with an RTD sensor. GHT2002J can be used to set the on and off temperature of the ReadyTrace™. A GFCI device is required when using GHT2002J.



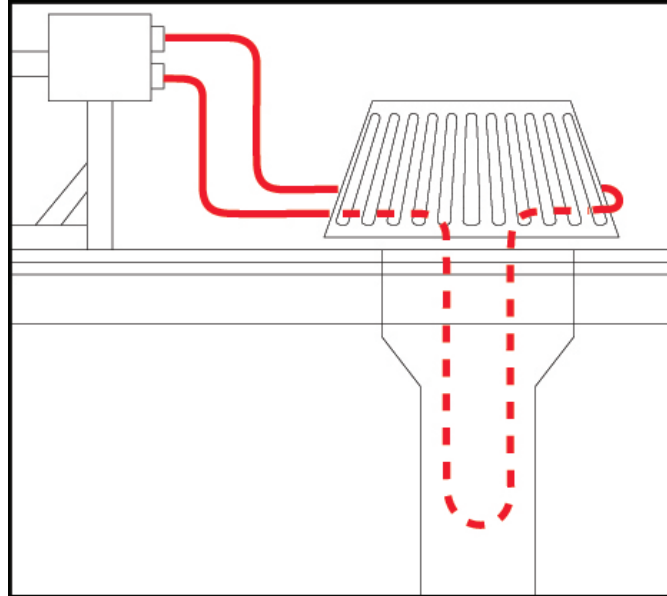


ReadyTrace

Application Details

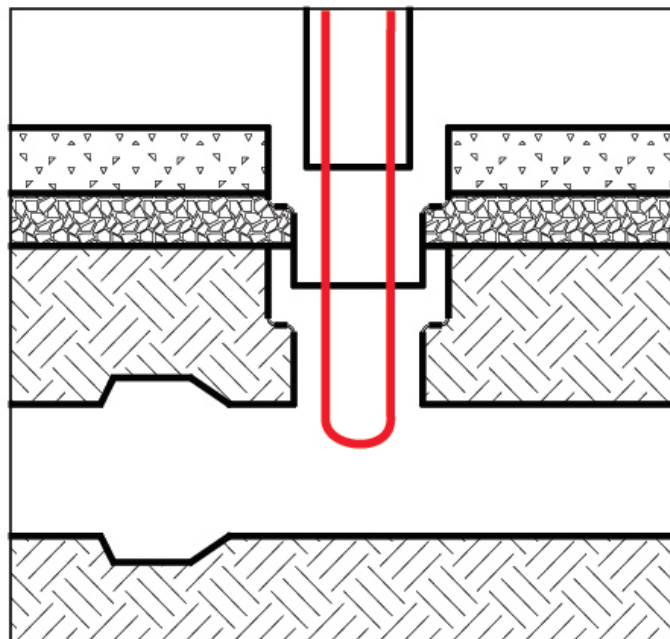
Roof Drains

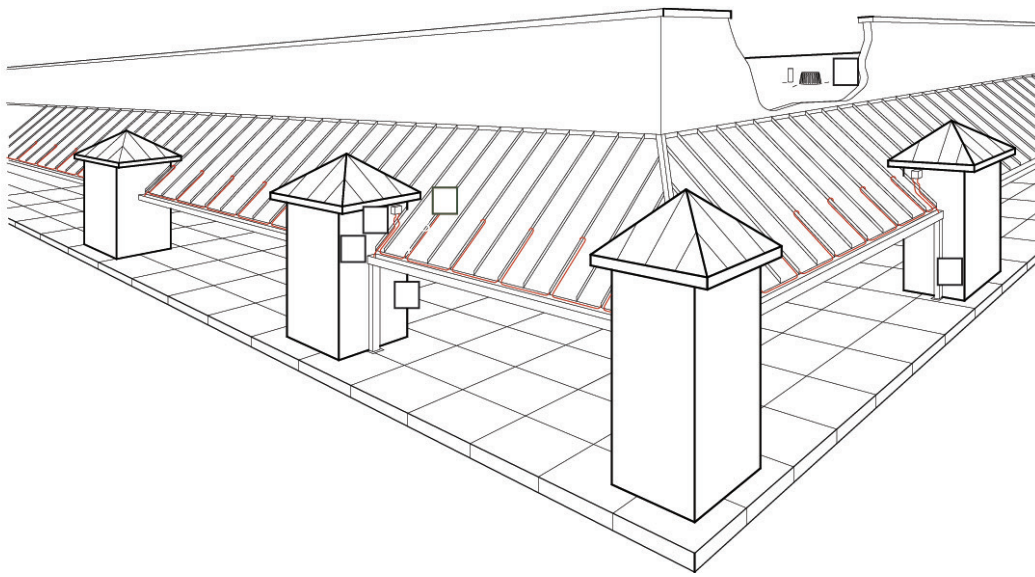
Roof drains may require heat tracing to prevent blockage due to ice buildup. Heating cable should extend a minimum of 300 mm (12") into the heated portion of the building. If the building is unheated, extend heat tracing down to the storm sewer.



Downspouts to Underground Storm Sewers

When downspouts are routed to storm sewers located below the frost line, extend the ReadyTrace™ cable down to the point where the vertical drain meets the horizontal drain. The cable should not extend into the horizontal drain line.





Example

To determine the recommended amount of cable for a standing seam metal roof under a heavy snowfall rate with 350 mm seams/ridges and a 450 mm overhang use Table 3.1.

Using the column for 350 mm seams/ridges and the row for a 450 mm overhang indicates the application would require 4.2 m of cable per linear meter of roof. Therefore, if the length of the roof was 3 meters long, then $3 \times 4.2 = 12.6$ meters of cable for the roof surface (additional cable required for power connection, see complete calculations below).

Continuing with the example, refer to Table 3.3 to determine the amount of cable required for a 300 mm (12 in) gutter with 2 downspouts that are 3 m in length.

Using the row for 150–300 mm gutter widths indicates that a 2x multiplier should be used for the total gutter length and downspout length. Therefore, the total length of roof $3 \times 2 = 6$ meters for the gutters. Additionally, each 3 m downspout would require $3 \times 2 = 6$ meters of cable. Multiply these total times two downspouts: $6 \times 2 = 12$ meters for the two downspouts.

In this example 120 Vac, single phase power available. Assume the outlet is within 1.75 meters of the heater start point and the plug can reach the outlet with no additional heater required.

Roof length.....	$3 \times 4.2 =$	12.6 m
Gutter length.....	$3 \times 2 =$	6.0 m
2 Downspouts.....	$2 \times (3 \times 2) =$	12.0 m
		30.6 m

In this case the ReadyTrace™-100 (30.5 m) cable will work.



Freeze Protection of Pipes

A complete ReadyTrace™ heat tracing system will typically have the following components. The absence of any of these components can cause the system to malfunction or represent a safety hazard.

1. ReadyTrace™
2. GFCI Protected Outlet
3. Control Thermostat (optional)
4. Warning Labels ("Electric Heat Tracing" label applied to insulation at 10' intervals or as required by code or specification)
5. Attachment Tape (Use on 12" intervals or as required by code or specification)
6. Minimum 1" thick thermal insulation and vapor barrier

Testing

After the heat tracing has been installed, and before the thermal insulation is installed, the heating cable should be tested to ensure electrical resistance integrity. The cable should be tested with at least a 2500 vdc megohm meter between each plug spade terminal and the ground pin. Resistance should be 20 megohms or greater.

Thermal Insulation

The value of properly installed and well-maintained minimum 1" thick thermal insulation cannot be overemphasized. Without insulation, the heat loss is generally too high to be offset by a conventional heat tracing system.

Before the minimum 1" thick thermal insulation is installed on a pipe, the heating circuit should be tested for dielectric insulation resistance. This will ensure that the cable has not been damaged during the installation process.

In addition to piping and in-line equipment such as pumps and valves, all heat sinks must be properly insulated with a minimum 1" thick insulation. This includes hangers, flanges, brackets, and valve bonnet. Insulation should be applied snugly around pipe shoes or other heat sinks and sealed from the weather.

There are many different pipe insulation materials, each of which has advantages in particular applications. Regardless of the type of 1" thick insulation used; a protective moisture barrier should be installed. This protects the insulation from moisture intrusion and physical damage and helps ensure the proper performance of the heating system.

Final Inspection

The heating circuit can now be tested for proper operation. This includes measuring and recording the connected voltage, steady state amp draw, cable length, ambient temperature, and the temperature of the pipe.

The complete system should now be inspected, and "Electric Heat Tracing" caution labels should be applied to the outer surface of the weather barrier at regular ten-foot intervals (or as required by specification or code).

Maintenance

Once the heat tracing system has been installed, an ongoing preventative maintenance program should be implemented using qualified personnel. Support documentation providing general information and operating history of the heating circuit should be maintained.

The results of the operational testing described above form the testing baseline of the system. Subsequent measurements should be recorded periodically and compared to the baseline data to help identify any potential system malfunctions.

Cable Selection

Select optimal cable Length according to the tables below. If the length of cable selected is longer than the required heater length, the heater should be spiraled evenly along the entire pipe length.

Metal Pipes 1/2" to 2-1/2" in Diameter

ReadyTrace™ Length (ft)	6	12	18	24	36	50	75	100
Pipe Length (ft)	1-6	6-12	12-18	18-24	24-36	35-50	50-75	75-100

Plastic Pipes 1/2" to 1-1/2" in Diameter

ReadyTrace™ Length (ft)	6	12	18	24	36	50	75	100
Pipe Length (ft)	1-6	6-12	12-18	18-24	24-36	35-50	50-75	75-100

Plastic Pipes 1-1/2" to 2-1/2" in Diameter

ReadyTrace™ Length (ft)	6	12	18	24	36	50	75	100
Pipe Length (ft)	1-4	4-8	8-10	10-16	16-28	28-36	36-54	54-70

Add additional length for common components

Component type	valve	spigot	other Piping components (depending on mass)	
Additional ft	1	1	1-3+	

Electrical Safety

Electrical safety for heat tracing systems requires careful planning, proper equipment, and strict procedures. To protect employees from arc flash and shock hazards, personal protective equipment (PPE) and proper training must be provided. Workers need to understand how heat tracing systems, their power supplies, and control equipment work, as well as the risks involved. They should be trained to identify hazards and follow safety practices to prevent accidents.

All electrical parts should be treated as live until they are confirmed to be de-energized. To safely de-energize equipment, workers must identify all energy sources, interrupt the power, and open disconnect devices. Whenever possible, they should visually confirm the circuit is disconnected. Lockout/tagout (LOTO) proceed res must be followed to prevent unexpected power restoration. The absence of voltage should be tested with a voltmeter, ensuring the meter is functioning properly both before and after testing. When dealing with stored energy or induced voltage, conductors should be grounded before handling, using devices rated for the fault current.

Proper labeling is crucial for safety. insulated pipes, vessels, and equipment should display labels indicating the presence of electrical heating elements, with labels placed at least every 10 feet (3 meters). Controllers, power panels, and protective devices need clear labels showing the circuits they control. Transformers, cable trays, and power circuits must also be labeled to indicate they supply heat tracing circuits to avoid confusion during inspections and maintenance.

A hazard analysis is needed to assess risks from arc flashes and electric shock at every point where workers might be exposed. the analysis should consider voltage levels, fault current, and how quickly protective devices can respond. Flash protection boundaries should be set following NFPA 70E standards, which done safe working distances from live parts. Equipment enclosures must be labeled with these boundaries and the energy levels at 18 inches (46 cm) and 36 inches (91 cm) from the source of the hazard.

To ensure safety and compliance, only certified equipment from recognized testing labs should be use. installation must follow both the manufacturer's instructions, the national electrical code (nec), and the Canadian electric code (cec) as applicable. Each circuit or piece of equipment should have disconnecting devices to allow for safe lockout during maintenance. With the right training, labeling, and equipment, electrical heat tracing systems can be safely operated and maintained.



Warranty & Return Policy

- 2-year limited warranty from purchase date, covering manufacturing defects.
- Excludes improper installation, misuse, or physical damage.
- For returns or replacements, contact Powerblanket @ (801) 506-0198

Compliance and Certification Overview

- Certified to UL 515-2015 Ed. 2 and CSA C22.2#130:2016 Ed. 4.
- Installations must comply with NEC in the U.S.
- In Canada, follow CEC Part 1.
- Use GFCI-protected outlets to maintain compliance and warranty.

Legal Disclaimer

Powerblanket assumes no responsibility for damages caused by improper installation or use outside recommended applications. Users are responsible for ensuring compliance with all relevant codes, standards, and installation instructions.





Guide de conception

Revision A – 27 MARS 2025

Présentation du produit

système de traçage thermique Plug-and-Play pour la protection contre le gel commercial, et toit et gouttière, trompe de pluie, dégivrage du bassin de capture.

Fabriqué par

Powerblanket™, une société Thermon

Certifications et conformité



-Ws Usage

Version du document

Revision A | MARS 2025

Support et contact

Powerblanket.com

Table des matières

- 3. Description du produit
- 3. Caractéristiques
- 3. Approbations

Chaleur De Toit

- 4. Introduction
- 4. Base d'une bonne conception
- 5. Multiplicateurs ReadyTrace™
- 5. Toits en métal et tuiles
- 6. Toits en bardeaux
- 7. Gouttières et tuyaux de descente
- 8. Accessoires d'installation
- 10. Détails de l'application
- 11. Exemple

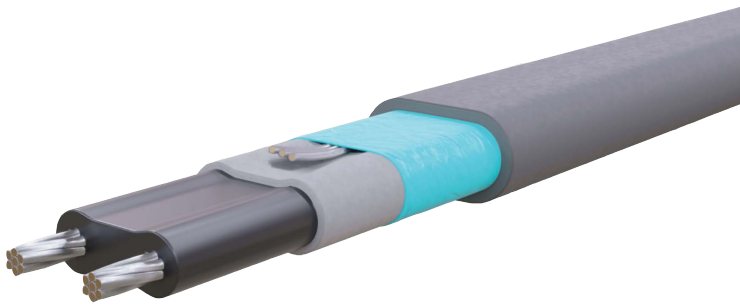
Protection par congélation des tuyaux

- 12. Test
- 12. Isolation Thermique
- 12. Inspection finale
- 12. Entretien
- 13. Sélection du câble
- 14. Sécurité Électrique
- 15. Informations sur la garantie
- 15. Certifications et conformité
- 15. Mentions légales
- 15. Informations de support et de contact

Description du produit

Le câble de chauffage autorégulateur ReadyTrace™ modifie sa puissance thermique pour répondre aux changements des conditions environnantes. Lorsque le câble est recouvert de neige ou de glace, la production de chaleur augmente automatiquement. A l'inverse, exposé à l'air sec, le câble réagit en diminuant sa puissance calorifique. Cette fonction d'autorégulation se produit sur toute la longueur d'un circuit de traçage thermique afin de maximiser la fonte de la neige et de la glace tout en conservant l'énergie. Pour assurer une protection pendant l'installation et des années d'exposition aux éléments, ReadyTrace comprend une tresse de cuivre étamée pour la mise à la terre ainsi qu'une enveloppe extérieure en polyoléfine lourde contenant un inhibiteur UV.

Pour faciliter l'installation, ReadyTrace™ est fourni dans différentes longueurs et est livré avec un cordon d'alimentation et une prise standard. ReadyTrace™ peut être installé avec des outils manuels ordinaires. Il se fixe au toit avec des attaches de toit de câble et est acheminé dans des gouttières et des tuyaux de descente avec des cintres.



Caractéristiques

- Conducteurs en cuivre plaqué nickel
- Matrice chauffante semi-conductrice réticulée par faisceau d'électrons
- Isolation diélectrique réticulée par faisceau d'électrons
- La veste en polyoléfine offre une protection supplémentaire au noyau, à l'isolation et à la tresse lorsque l'exposition à des produits chimiques inorganiques aqueux est prévue.
- 5 mA de protection contre les défauts à la terre requis

Dans la neige et la glace.....26 W/m (8 W/ft) @ 10C (50F)

Dans l'air sec.....20 W/m (6 W/ft) @ 10C (50F)

Certifications/Approvals



-WS Usage

Systèmes ReadyTrace™ pour la fonte des neiges et des glaces sur les toits et les caniveaux

Introduction

Ce guide de conception fournit une base pour la conception d'un système de fonte de la neige et de la glace pour le toit et la gouttière. La quantité de câble chauffant requise et les performances du système dépendent fortement des paramètres de conception suivants:

- Emplacement géographique du projet
- Orientation du bâtiment en fonction du vent et des conditions météorologiques
- Conception et construction de bâtiments
- Degré de protection requis

Base d'une bonne conception

La zone qui nécessitera le traçage thermique est en quelque sorte basée sur la taille et la forme du bâtiment. Par exemple, un bâtiment sans porte-à-faux peut avoir seulement besoin d'une protection contre les caniveaux et les gouttières descendantes, tandis qu'un porte-à-faux couvrant une entrée de bâtiment sujette à la dérive peut avoir besoin d'une couverture complète. En règle générale, les zones sensibles aux barrages de neige et de glace sont les suivantes:

- Toit surplombant sans gouttières
- Toit surplombé avec gouttières et tuyaux de descente
- Gouttières et tuyaux de descente uniquement

Étape 1: Déterminer la zone nécessitant la fonte de la neige et de la glace et déterminer le niveau de protection requis

Examiner les plans ou la conception de l'installation afin de déterminer les zones qui nécessiteront la fonte de la neige et de la glace du toit et des gouttières. Pour déterminer le niveau de protection nécessaire, déterminez si les conditions climatiques/d'installation se situent dans les niveaux modérés ou lourds en fonction des variables suivantes:

Snowfall Rate	Moderate ≤ 25 mm/hr (≤ 1"/hr)	Heavy 25 - 50 mm/hr (1" - 2"/hr)
eave-to-ridge Distance	≤ 6 m ($\leq 20'$)	6 - 12 m (20 to 40')
size (width) of Gutter	≤ 150 mm (≤ 6 "	150 - 300 mm (6 - 12")

Si une variable de conception tombe dans la catégorie lourde, concevez le système pour une accumulation lourde afin d'assurer une protection adéquate du bâtiment. Si les conditions météorologiques, la conception/l'orientation du bâtiment ou l'utilisation prévue de l'installation l'exigent, augmenter la quantité de câbles à installer.

Étape 2: Spécifiez les emplacements des connexions d'alimentation; Disposez le câble:

ReadyTrace™ est certifié pour une utilisation en 110-120 VAC et 208-40 VAC, mais seulement 120 VAC sont disponibles pour le moment. ReadyTrace™ est disponible dans les longueurs suivantes 6, 12, 18, 24, 36, 50, 75 et 100 pi. Assurez-vous que votre application a accès à 110-120 VAC et nécessite moins de 100 pi de câble de chauffage.

Disjoncteurs

ReadyTrace™ est conçu pour fonctionner en toute sécurité sur un seul circuit protégé GFCI 15A. Comme les ampères de démarrage peuvent dépasser les ampères de fonctionnement, ReadyTrace™ ne doit pas être mis sous tension en dessous de -20°C (-4°F).



Étape 3: Spécifiez les emplacements des connexions d'alimentation; Disposez le câble

1. Les prises d'alimentation du câble chauffant doivent être situées sous un toit surplombant ou dans une zone similaire pour éviter une exposition directe. Fournissez des boucles goutte-à-goutte où le câble d'alimentation et de chauffage sont branchés.
2. Pour faciliter la conception, les multiplicateurs ReadyTrace™ sont fournis pour les types de matériaux de toiture les plus courants. Utilisez ces multiplicateurs, indiqués dans les tableaux 3.1 à 3.3, pour déterminer le métrage du câble ReadyTrace™ requis en fonction des variables indiquées. Veillez à ajouter suffisamment de câble supplémentaire pour que la zone de traçage thermique revienne à la prise de courant.

Étape 4: Choisissez les accessoires d'installation ReadyTrace™

Un système de toit et de gouttière ReadyTrace™ utilisera généralement les accessoires d'installation détaillés.

Étape 5: Établir la méthode de contrôle nécessaire pour faire fonctionner le système

Tous les systèmes de fonte des neiges et des glaces du toit et de la gouttière doivent être contrôlés pour allumer et éteindre le câble de chauffage lorsque les conditions le justifient. Il existe trois moyens de base pour activer un système de toit et de gouttière:

1. Interrupteur marche/arrêt manuel - Économique et simple à installer; nécessite la diligence de l'opérateur.
2. Contrôle de la détection ambiante : active et désactive le système en fonction de la température ambiante. Le câble chauffant sera souvent mis sous tension pendant les périodes non requises.
3. Contrôle automatique - Le capteur de glace monté sur le toit ou dans la gouttière met le système sous tension lorsque l'humidité est détectée et que les températures sont dans la plage où le gel peut se produire sur les toits en porte-à-faux ou dans les gouttières.

Multiplicateurs ReadyTrace™

Sélectionnez un multiplicateur dans les exemples illustrés en fonction du type de matériau de toiture utilisé. Si les gouttières et les tuyaux de descente nécessitent également une protection, assurez-vous d'ajouter les exigences de câble aux séquences de surplomb du toit.

Attention:

Lorsque les conditions l'exigent (fortes charges de neige, pentes abruptes du toit, matériaux de toiture lisses ou longues distances entre le toit et la crête), il faut envisager des clôtures anti-neige et/ou des freins anti-neige pour prévenir/réduire le risque de dommages au câble et/ou à l'installation.

Toits en métal/tuiles

Les matériaux de toiture métalliques tels que les joints debout ou ondulés, ainsi que les matériaux de toiture en tuiles/béton qui ont des arêtes ou des rainures distinctes, doivent être correctement traités lors de l'installation du calorifugeage. Les toits métalliques notamment présentent un potentiel d'avalanche qui pourrait endommager le câble chauffant s'il était installé en serpent. Pour lutter contre cela, le câble est installé parallèlement aux coutures debout ou le long d'une ondulation. L'esquisse partielle ci-dessous représente le câble ReadyTrace tel qu'il serait installé sur un toit en tôle ondulée. Cette méthode serait également utilisée sur les toits de tuiles ou de joints debout.

Un nombre quelconque de modes de fixation peut être utilisé pour maintenir le câble chauffant en place. Quelle que soit la méthode utilisée, elle doit tenir compte de l'intégrité du toit et du câble chauffant.

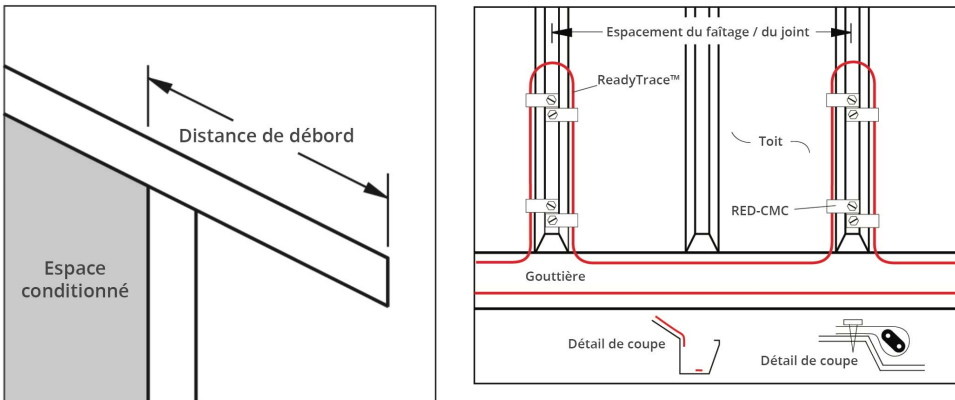
Pour déterminer le schéma d'implantation du câble chauffant ReadyTrace sur les toits en métal ou en tuiles, utilisez le tableau 3.1 conjointement avec les mesures de l'espacement des coutures, des ondulations ou des



crêtes dans le matériau de toiture. c et l'espacement, combiné au niveau de protection souhaité, déterminera le multiplicateur à utiliser pour déterminer le métrage de câble requis. (câble chauffant ne doit pas être installé sur chaque couture, ondulation, etc.) Veillez à ajouter un câble supplémentaire suffisant pour atteindre le point de connexion d'alimentation pour chaque circuit.

Pour déterminer la quantité de câble requise, sélectionnez la distance de surplomb qui convient à l'application et suivez cette ligne jusqu'à la colonne d'espacement nervure/couture qui correspond au matériau de toiture. Le nombre à l'intersection de la ligne et de la colonne est le multiplicateur de cette application. Multipliez ce nombre par le nombre de mètres linéaires (pieds) de toits à protéger et ajoutez suffisamment de câbles pour atteindre la prise de courant ainsi que tout câble supplémentaire pour permettre des variations sur place.

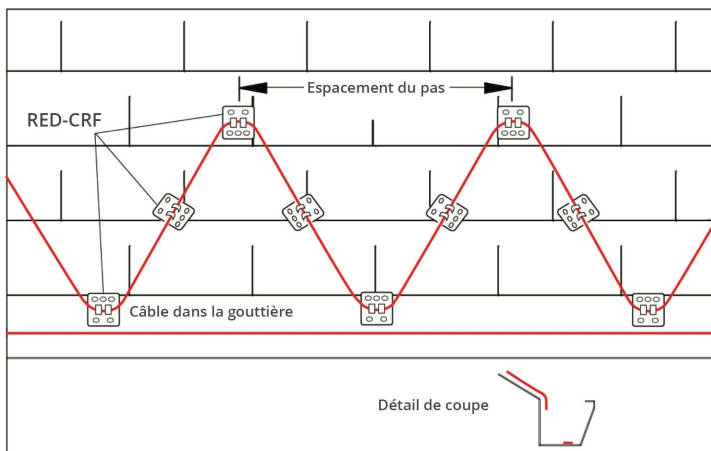
La distance à parcourir pour monter le câble chauffant peut être déterminée en mesurant la distance comme indiqué à droite. Le câble chauffant doit passer au-delà du point où une ligne imaginaire s'étendant vers le haut à partir de la paroi intérieure passerait à travers le toit.



Toits en bardeaux

Tous les toits en bardeaux (fibre de verre, bardeau de cèdre, tuile plate ou bardeau de béton) peuvent utiliser un câble chauffant installé en serpentin comme détaillé dans le croquis partiel ci-dessous. Le câble chauffant peut être fixé au toit et au fascia avec des attaches de câble (No de catalogue RED-CRF) ou des dispositifs similaires maintenus en place avec des attaches ou des adhésifs appropriés. En général, un R-6 par crête et un dans chaque segment linéaire de câble de plus de 0,6 m (24 po). Il faut veiller à maintenir l'intégrité du toit.

Pour déterminer le schéma de disposition du câble chauffant ReadyTrace sur les toits en bardeaux, utilisez le tableau 3.2. Les multiplicateurs de conditions modérées et lourdes recommandés ont été ombrés pour chaque distance de surplomb. Si les conditions dictent un pas spécifique, des multiplicateurs pour des espacements supplémentaires ont été inclus. Veillez à ajouter suffisamment de câbles supplémentaires pour atteindre la prise de courant de chaque circuit.



Pour déterminer la quantité de câble requise, sélectionnez la ligne avec la distance de surplomb correspondante et poursuivez jusqu'au multiplicateur correspondant au niveau de protection souhaité. Après avoir sélectionné un multiplicateur, lisez la valeur de pas d'espacement correspondante en haut de la colonne. Multipliez ce nombre par le nombre de pieds linéaires de toit restant à protéger et ajoutez suffisamment de câble pour atteindre la boîte de jonction de l'alimentation électrique.

Gouttières et tuyaux de descente

Le câble de chauffage ReadyTrace™ peut être utilisé dans les gouttières et les tuyaux de descente, que le câble de chauffage ait été installé sur le toit ou non. La quantité de câble requise est basée sur la largeur des gouttières, le niveau de protection souhaité et le métrage linéaire des gouttières et des tuyaux de descente. Une mise en page typique est présentée ci-dessous. En outre, l'extrémité du câble chauffant ne doit pas être située dans la partie la plus basse du bec verseur.

Sélectionnez le niveau de protection requis (selon la taille de la gouttière) dans le tableau 3.1. Choisissez le multiplicateur qui correspond à l'application et appliquez ce multiplicateur au métrage des gouttières et au nombre et au métrage des descentes à tracer thermiquement. Ajoutez un câble de chauffage suffisant (y compris une boucle de goutte à goutte) pour atteindre la prise de courant.

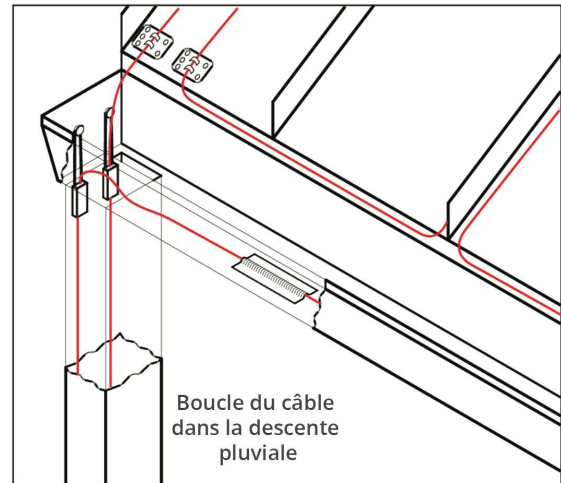


Tableau 3.1 Toits en métal / tuiles

Distance de débord	Espacement du faîtage / du joint							
	250 mm (10")	300 mm (12")	350 mm (14")	400 mm (16")	450 mm (18")	500 mm (20")	550 mm (22")	600 mm (24")
300 mm (12")	4.2	3.7	3.3	3.0	2.8	2.6	2.5	2.4
450 mm (18")	5.4	4.7	4.2	3.8	3.5	3.2	3.0	2.9
600 mm (24")	6.6	5.7	5.0	4.5	4.1	3.8	3.6	3.4
750 mm (30")	7.8	6.7	5.9	5.3	4.8	4.4	4.1	3.9
900 mm (36")	9.0	7.7	6.7	6.0	5.5	5.0	4.7	4.4

Facteurs multiplicateurs pour conditions rigoureuses

Facteurs multiplicateurs pour conditions modérées

Tableau 3.2 Toits en bardeaux

Distance de débord	Espacement du faîtage / du joint							
	350 mm (14")	400 mm (16")	450 mm (18")	500 mm (20")	550 mm (22")	600 mm (24")	650 mm (26")	700 mm (28")
450 mm (18")	3.3	3.0	2.7	2.4	2.3	2.1	nr	nr
600 mm (24")	4.2	3.7	3.3	3.0	2.8	2.6	2.4	2.3
750 mm (30")	5.0	4.4	3.9	3.6	3.3	3.0	2.8	2.7
900 mm (36")	5.8	5.1	4.6	4.1	3.8	3.5	3.3	3.1
1050 mm (42")	6.7	5.9	5.2	4.7	4.3	4.0	3.7	3.5

Facteurs multiplicateurs pour conditions rigoureuses

Facteurs multiplicateurs pour conditions modérées

Tableau 3.3 Gouttières et descentes pluviales

Largeur de la gouttière	Allocation pour la gouttière	Allocation pour la descente pluviale
≤ 150 mm (≤6")	1X longueur de la gouttière	1X longueur de la descente pluviale
150-300 mm (6-12")	2X longueur de la gouttière	2X longueur de la descente pluviale
≥300 mm (≥12")	Communiquez avec un représentant de l'usine Thermon	

Accessoires d'installation

1: RED-TC Thermocube™ est un appareil qui, lorsqu'il est branché sur une prise électrique CA standard de 120 V, met automatiquement sous tension et hors tension tout appareil branché. Le thermocube se met automatiquement sous tension lorsque la température de l'air atteint environ 35°F (2°C) et s'éteint lorsque la température dépasse environ 45°F (7°C). Thermocube™ est destiné à être utilisé uniquement dans des endroits secs. Un dispositif GFCI est toujours nécessaire lors de l'utilisation de Thermocube™.

2: RED-GFCI Ground Fault Circuit Interrupter Outlet Adapter (GFCI) vous permet de convertir votre prise de courant standard dans une prise protégée GFCI avec notre adaptateur GFCI. Destiné à une utilisation sur site sec.

a. **RED-GFCI2** Adaptateur de sortie d'interrupteur de défaut de terre (GFCI) vous permet de convertir votre prise de courant standard dans une prise protégée GFCI avec notre adaptateur GFCI. Destiné à un usage extérieur.

3: Les clips de montage de câble **RED-CMC** fixent le câble chauffant ReadyTrace™ au toit à l'aide de vis et d'un matériau de couverture étanche.

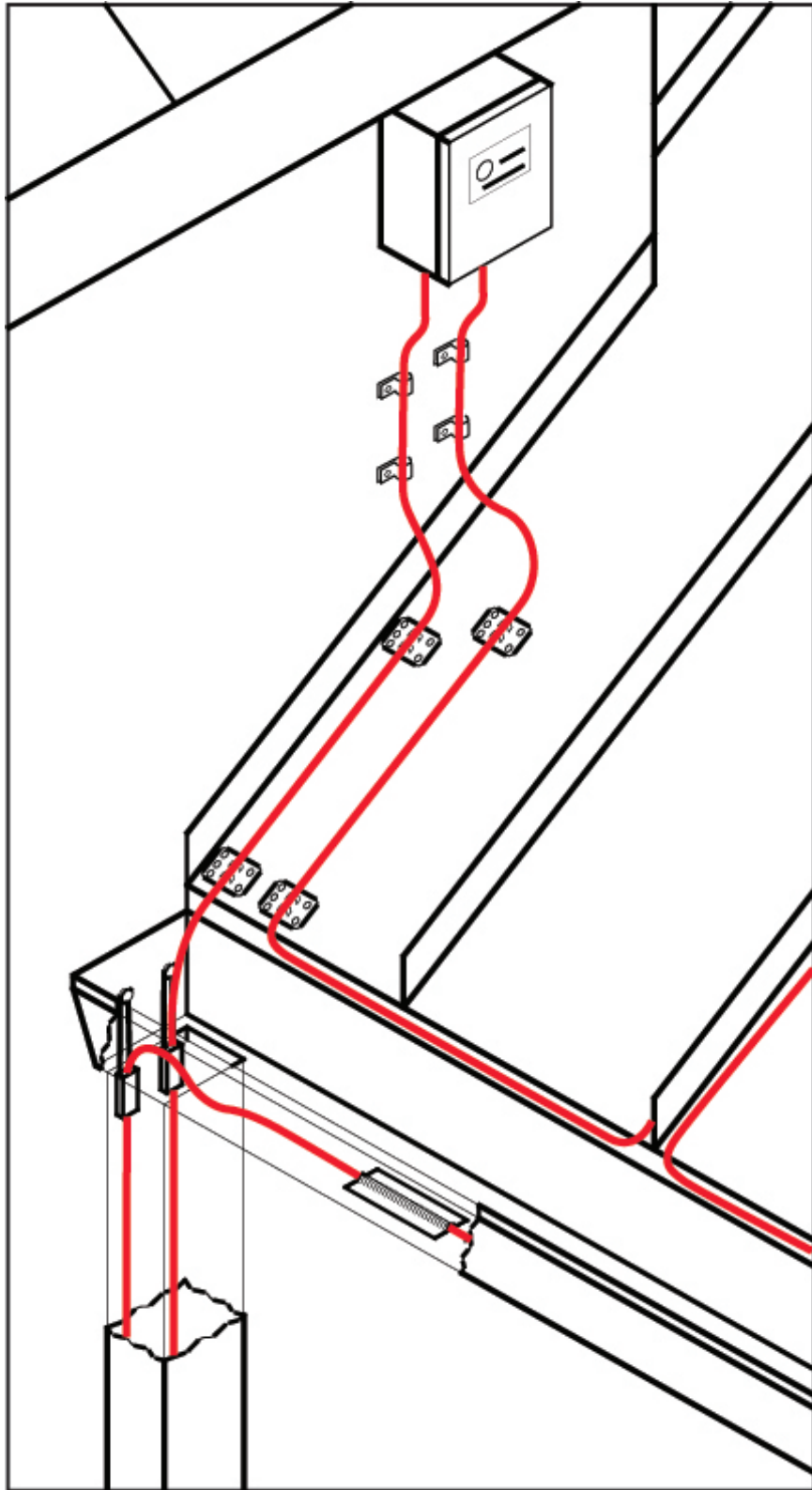
4: Les attaches de toit de câble **RED-CRF** fixent le câble chauffant ReadyTrace™ aux matériaux de toit ou de fascia. Peut être fixé avec des fixations ou des adhésifs compatibles avec le matériau de toiture.

5: Le dispositif de suspension de câble descendant **RED-DCH** sécurise le câble chauffant au niveau des descentes pour éliminer la contrainte au niveau de la lèvre du point de contact descente/gouttière.

6: Le ruban d'aluminium **RED-20L** fixe le câble chauffant au fond de la gouttière propre pour maintenir le câble en place pendant la pluie.

7: GHT2002J GHT2002J est un contrôleur thermostatique réglable avec un capteur RTD. GHT2002J peut être utilisé pour régler la température d'activation et de désactivation du ReadyTrace™. Un périphérique GFCI est requis lors de l'utilisation de GHT2002J.

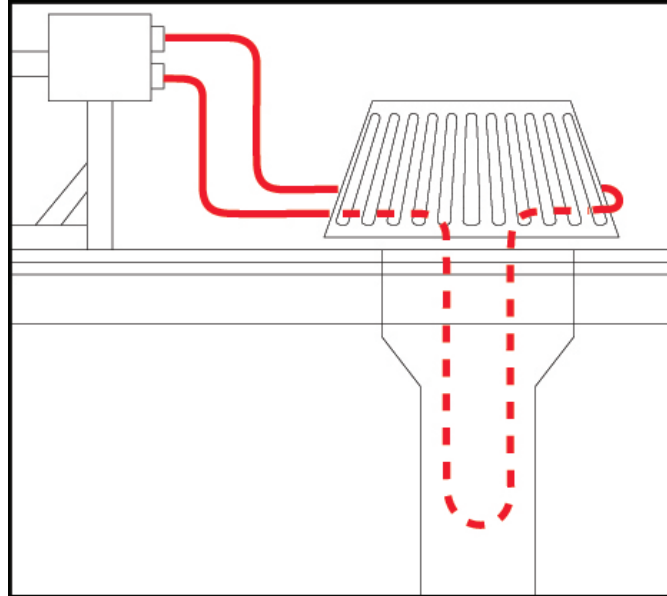




Détails de l'application

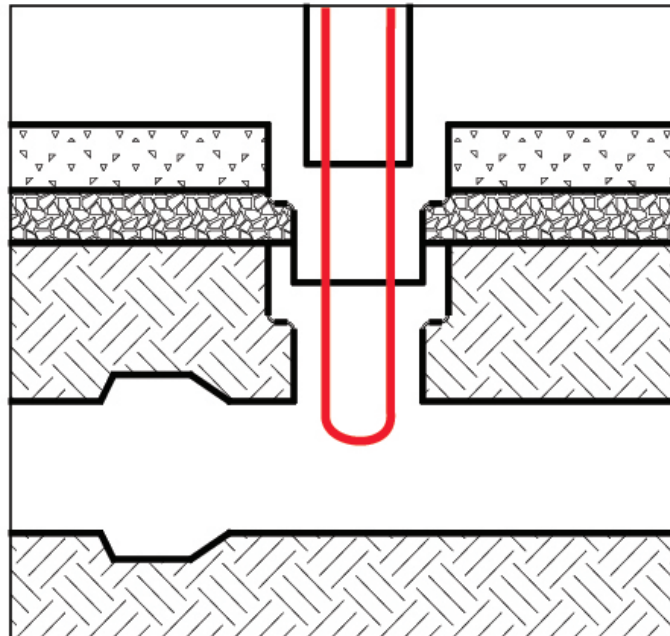
Siphons De Toit

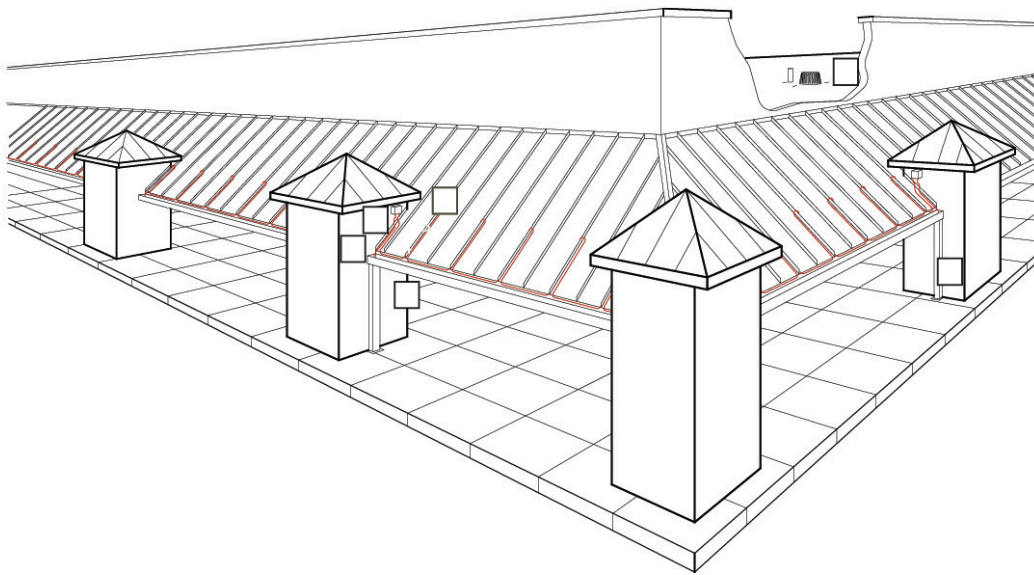
Les drains de toit peuvent nécessiter un traçage thermique pour prévenir l'obstruction due à l'accumulation de glace. Le câble chauffant doit s'étendre sur au moins 300 mm (12 po) dans la partie chauffée du bâtiment. Si le bâtiment n'est pas chauffé, prolongez le parcours de la chaleur jusqu'à l'égout pluvial.



Vidanges vers les égouts pluviaux souterrains

Lorsque les tuyaux de descente sont acheminés vers les égouts pluviaux situés sous la ligne de gel, rallongez le câble ReadyTrace jusqu'à l'endroit où le drain vertical rencontre le drain horizontal. Le câble ne doit pas s'étendre dans la ligne de drainage horizontale.





Exemple

Pour déterminer la quantité de câble recommandée pour un toit métallique à coutures debout sous une forte chute de neige avec des coutures/crêtes de 350 mm et un porte-à-faux de 450 mm, utilisez le tableau 3.1.

L'utilisation de la colonne pour des joints/arêtes de 350 mm et de la rangée pour un porte-à-faux de 450 mm indique que l'application nécessiterait 4,2 m de câble par mètre linéaire de toit. Par conséquent, si la longueur du toit était de 3 mètres de long, alors $3 \times 4,2 = 12,6$ mètres de câble pour la surface du toit (câble supplémentaire requis pour le raccordement électrique, voir les calculs complets ci-dessous).

Pour poursuivre avec l'exemple, reportez-vous au tableau 3.3 afin de déterminer la quantité de câble nécessaire pour une gouttière de 300 mm (12 po) avec 2 tuyaux de descente de 3 m de longueur. L'utilisation de la rangée pour des largeurs de gouttière de 150-300 mm indique qu'un multiplicateur 2x doit être utilisé pour la longueur totale de gouttière et la longueur du bec descendant. Par conséquent, la longueur totale du toit $3 \times 2 = 6$ mètres pour les gouttières. De plus, chaque descente de 3 m nécessiterait $3 \times 2 = 6$ mètres de câble. Multipliez ces totaux par deux descentes : $6 \times 2 = 12$ mètres pour les deux descentes.

Dans cet exemple 120 vac, puissance monophasée disponible. Supposons que la sortie se trouve à moins de 1,75 mètre du démarrage du réchauffeur et que la fiche peut atteindre la sortie sans chauffage supplémentaire nécessaire.

Longueur du toit..... $3 \times 4.2 = 12.6$ m

Longueur de la gouttière..... $3 \times 2 = 6.0$ m

2 buses descendantes..... $2 \times (3 \times 2) = 12.0$ m

30.6 m

Dans ce cas, le câble ready trace-100 (30,5 m) fonctionnera.

Protection par congélation des tuyaux

Un système complet de traçage thermique ReadyTrace™ comprend généralement les composants suivants. L'absence de l'un de ces composants peut entraîner un dysfonctionnement du système ou représenter un risque pour la sécurité.

1. ReadyTrace™
2. Prise protégée GFCI
3. Thermostat De c ontrôle (Facultatif)
4. Étiquettes de mise en garde (étiquette de « traçage électrique de la chaleur » appliquée à l'isolation à intervalles de 10 pi ou tel que requis par le code de spécification
5. Bande de fixation (à utiliser à intervalles de 12 pouces ou conformément au code ou à l spécification
6. Isolation thermique et pare-vapeur

Test

Après l'installation du calorifuge et avant l'installation de l'isolation thermique, le câble chauffant doit être testé pour s'assurer de l'intégrité de la résistance électrique. Le câble doit être testé avec au moins un mètre de 2500 vdc entre chaque borne d'espacement de prise et la broche de mise à la terre.

Isolation Thermique

On ne saurait trop insister sur l'importance d'une isolation thermique bien installée et bien entretenue. sans isolation, la perte de chaleur est généralement trop importante pour être compensée par un système classique de traçage thermique.

Avant d'installer l'isolation thermique sur un tuyau, le circuit de chauffage doit être testé pour la résistance d'isolation diélectrique. Cela permettra de s'assurer que le câble n'a pas été endommagé pendant le processus d'installation.

En plus des canalisations et des équipements en ligne tels que les pompes et les vannes, tous les dissipateurs de chaleur doivent être correctement isolés. Cela comprend les cintres, les brides, les supports et les chapeaux de soupape. L'isolation doit être appliquée confortablement autour des sabots de tuyau ou d'autres dissipateurs de chaleur et scellée des intempéries.

Il existe de nombreux matériaux d'isolation de tuyaux différents dont chacun présente des avantages dans des applications particulières. Quel que soit le type ou l'épaisseur de l'isolant utilisé, une barrière de protection doit être installée. Cela protège l'isolation contre l'intrusion d'humidité et les dommages physiques et aide à assurer la bonne performance du système de chauffage.

Inspection finale

Le circuit de chauffage peut maintenant être testé pour un bon fonctionnement. cela comprend la mesure et l'enregistrement de la tension connectée, du tirage de l'ampli à l'état stable, de la longueur du câble, de la température ambiante et de la température du tuyau.

L'ensemble du système doit maintenant être inspecté et des étiquettes de mise en garde de « traçage électrique de la chaleur » doivent être apposées sur la surface extérieure de la barrière météorologique à intervalles réguliers de dix pieds (ou selon les spécifications ou le code)

Entretien

Une fois le système de traçage thermique installé, un programme d'entretien préventif continu devrait être mis en œuvre avec du personnel qualifié. Il faut tenir à jour une documentation de soutien fournissant es renseignements généraux et l'historique de fonctionnement du circuit de chauffage.

Les résultats des essais opérationnels décrits ci-dessus constituent la base d'essai du système. Les mesures ultérieures doivent être enregistrées périodiquement et comparées aux données de base pour permettre d'identifier tout dysfonctionnement potentiel du système

Sélection du câble

Sélectionnez Longueur de câble optimale (optimal cable Length) en fonction des tableaux ci-dessous. Si la longueur de câble sélectionnée est supérieure à la longueur de chauffage requise, le chauffage doit être spiralé uniformément sur toute la longueur du tuyau.

Tuyaux métalliques de 1/2 po à 2-1/2 po de diamètre

Longueur Ready Trace (pi)	6	12	18	24	36	50	75	100
Longueur du tuyau (pi)	1-6	6-12	12-18	18-24	24-36	35-50	50-75	75-100

Tuyaux en plastique de 1/2 po à 1-1/2 po de diamètre

Longueur Ready Trace (pi)	6	12	18	24	36	50	75	100
Longueur du tuyau (pi)	1-6	6-12	12-18	18-24	24-36	35-50	50-75	75-100

Tuyaux en plastique de 1-1/2 po à 2-1/2 po de diamètre

Longueur Ready Trace (pi)	6	12	18	24	36	50	75	100
Longueur du tuyau (pi)	1-4	4-8	8-10	10-16	16-28	28-36	36-54	54-70

Ajouter une longueur supplémentaire pour les composants courants

Type de composant	Vanne	Robinet	Autres composants de tuyauterie (selon la masse)					
Pieds supplémentaires	1	1	1-3+					

Sécurité Électrique

La sécurité électrique des systèmes de traçage thermique nécessite une planification minutieuse, un équipement approprié et des procédures strictes. Afin de protéger les employés contre les risques d'éclats d'arc et de chocs, de l'équipement de protection individuelle (ePi) et une formation appropriée doivent être fournis. Les travailleurs doivent comprendre le fonctionnement des systèmes de traçage de la chaleur, de leurs alimentations électriques et des équipements de contrôle, ainsi que les risques impliqués. Ils doivent être formés pour identifier les dangers et suivre les pratiques de sécurité pour prévenir les accidents.

Toutes les pièces électriques doivent être considérées comme sous tension jusqu'à ce qu'il soit confirmé qu'elles sont hors tension. Pour mettre hors tension l'équipement en toute sécurité, les travailleurs doivent identifier toutes les sources d'énergie, interrompre l'alimentation et ouvrir les dispositifs de déconnexion. Dans la mesure du possible, ils doivent vérifier visuellement que le circuit est déconnecté. Les procédures de verrouillage et d'étiquetage (Loto) doivent être suivies pour éviter une restauration inattendue de l'alimentation. L'absence de tension doit être testée avec un voltmètre, en s'assurant que le compteur fonctionne correctement avant et après l'essai. Lorsqu'il s'agit d'énergie emmagasinée ou de tension induite, les conducteurs doivent être mis à la terre avant de manipuler, en utilisant des dispositifs réglés en fonction du courant de défaut.

Un étiquetage adéquat est essentiel pour la sécurité. Les tuyaux isolés, les récipients et l'équipement doivent porter des étiquettes indiquant la présence d'éléments chauffants électriques, avec des étiquettes placées au moins tous les 10 pieds (3 mètres). Les contrôleurs, les panneaux d'alimentation et les dispositifs de protection ont besoin d'étiquettes claires indiquant les circuits qu'ils contrôlent. Les transformateurs, les chemins de câbles et les circuits électriques doivent également être étiquetés pour indiquer qu'ils alimentent les circuits de traçage thermique afin d'éviter toute confusion pendant les inspections et l'entretien.

Une analyse des risques est nécessaire pour évaluer les risques liés aux éclats d'arc et aux chocs électriques à chaque point où les travailleurs pourraient être exposés. L'analyse doit prendre en compte les niveaux de tension, le courant de défaut et la rapidité de réponse des dispositifs de protection. Les limites de protection contre les éclats doivent être fixées conformément aux normes NFPA 70E, qui définissent les distances de travail sûres par rapport aux pièces sous tension. Les enveloppes d'équipement doivent être étiquetées avec ces limites et les niveaux d'énergie à 18 pouces (46 cm) et 36 pouces (91 cm) de la source du danger.

Pour garantir la sécurité et la conformité, seuls les équipements certifiés provenant de laboratoires d'essais reconnus doivent être utilisés. L'installation doit suivre à la fois les instructions du fabricant et le code national de l'électricité (NEC). Chaque circuit ou pièce d'équipement doit avoir des dispositifs de déconnexion pour permettre un verrouillage sécuritaire pendant l'entretien. Avec la formation, l'étiquetage et l'équipement appropriés, les systèmes de traçage de chaleur électrique peuvent être exploités et entretenus en toute sécurité.



Politique de garantie et de retour

- Garantie limitée de 2 ans à partir de la date d'achat, couvrant les défauts de fabrication.
- Exclut une installation incorrecte, une mauvaise utilisation ou des dommages physiques
- Pour les retours ou les remplacements, contactez Powerblanket @ (801) 506-0198

Présentation de la conformité et de la certification

- Certifié UL 515-2015 Ed. 2 and CSA C22.2#130:2016 Ed. 4
- Les installations doivent être conformes à la norme nec aux États-Unis.
- Au Canada, suivez CEC Part 1.
- Utilisez des prises protégées par GFCi pour garantir la conformité et la garantie.

Clause de non responsabilité

Powerblanket n'assume aucune responsabilité pour les dommages causés par une installation incorrecte ou une utilisation en dehors des applications recommandées. Les utilisateurs sont responsables de la conformité à tous les codes, normes et instructions d'installation pertinents.

