



User Manual

revision A – MARCH 27, 2025

Product Overview

Plug-and-Play Heat trace system for commercial Freeze Protection, and roof and Gutter, Downspout, catch basin Deicing.

Manufactured By

Powerblanket, a Thermon company

Certifications & Compliance



Document Version

version 1.1 | MARCH 2025

Support & Contact

Powerblanket.com

Table of Contents

3. safety Warnings and Precautions

5. Product overview

7. installation instructions

11. troubleshooting Guide

11. Warranty information

11. Certifications and Compliance

11. Legal notice

11. support and contact information

Safety Warnings & Precautions

The ReadyTrace™ heat trace system is designed to provide safe and reliable commercial freeze protection, roofs & gutter, downspout and catch basin deicing. However, improper installation or use can lead to safety hazards, including electrical shock, fire, or equipment damage. To ensure safe operation and optimal performance, please read and follow all safety instructions in this manual.

This section outlines the key safety guidelines you must follow when installing, operating, and maintaining the ReadyTrace™ system. Always prioritize safety by following local electrical codes and regulations. Seek professional assistance if you are unsure about any part of the installation process.

Failure to adhere to these precautions can void the warranty and may result in personal injury or property damage. Keep this manual accessible for future reference.

Warning	Description
Intended Use	This product is intended for commercial Freeze Protection , and for Roof and Gutter, downspout, catch Basin, and drain deicing . It is not intended for residential use or any other applications.
Code Compliance	Installation must comply with the Canadian Electrical Code Part I (CEC Part I) and the National Electrical Code (NEC) , as applicable.
Grounding and GFCI	Ensure the cable system is properly grounded and protected with a Ground Fault Circuit Interrupter (GFCI) . Note that GFCIs can degrade over time; test them regularly in accordance with the manufacturer's guidelines.
Damaged Components	Do not use damaged heating cables, power cords, or plugs. Replace any damaged components immediately to avoid the risk of fire, electric shock, or electrical arcing.
Risk of Electric Shock and Fire	RISK OF ELECTRIC SHOCK AND FIRE: Improper installation or cable damage may result in fire or electric shock, leading to severe personal injury or property damage. Only use approved attachment methods (e.g., wire ties, hose clamps, staples) are forbidden as they may damage the cable.
Power Circuit Safety	Always disconnect power before beginning installation or maintenance.
Device Indication	Use caution signs or visible markings to clearly indicate the presence of heating devices.
Seasonal Operation	Deactivate the cable system during warmer seasons when temperatures rise above 15°C (60°F) .
Regular Inspections	Inspect the cable system semi-annually to detect any damage and confirm proper operation.
Prohibited Installation Locations	Do not install heating cable within pipes or in a continually immersed location.
Burial Restrictions	Heating cables must not be buried.
Endcap Installation	Install the endcap end of the heater cable vertically to prevent water ingress and short circuits.
Extension Cord Use	When using an extension cord, ensure it is rated to handle the heater's maximum amp draw.
Flammable Materials	RISK OF FIRE: Do not install heating cable on, under, or near flammable materials. If covered with insulation, ensure the insulation is non-flammable and does not hold a flame.
Minimum Bend Radius	At -40°C (-40°F) , the minimum bend radius for the trace heater is 32mm (1-1/4").
Approved Attachment Methods	Only install using ReadyTrace™ approved attachment methods: AL-20L aluminum tape for pipes and valves, RG-CRF deicing cable clips for roofs, RG-CMC cable clips where appropriate, and RG-dCH downspout cable hangers . See ReadyTrace accessory guide for details.



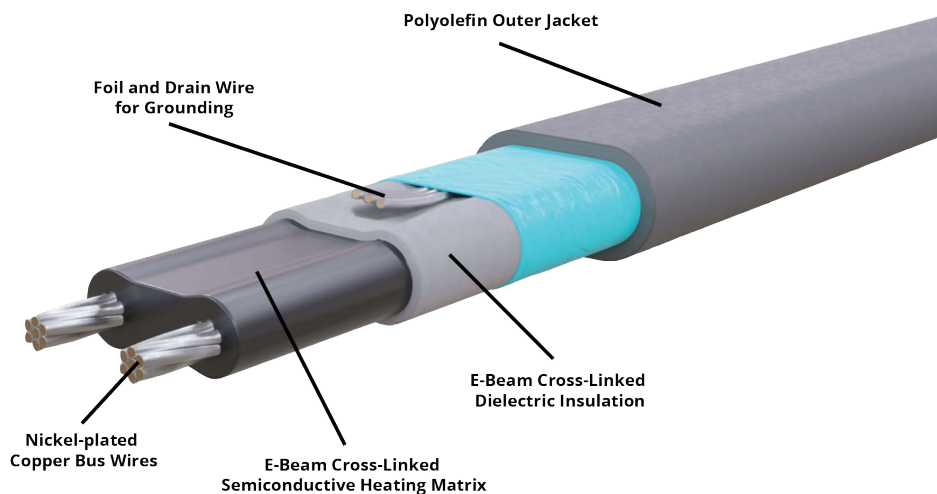
Product Overview

The ReadyTrace™ heat trace system is a plug-and-play solution designed to provide commercial-grade freeze protection and deicing across critical applications. Made with high-grade thermion heat trace technology—manufactured in the USA—ReadyTrace offers superior performance and durability, outperforming cheaper, foreign-made alternatives.

At the core of ReadyTrace™ is advanced self-regulating technology. As temperatures drop, the system automatically increases heat output to ensure optimal freeze protection. When temperatures rise, the output is reduced, conserving energy. This dynamic heat control ensures energy efficiency and safety by using only the heat needed for current conditions.

To ensure long-lasting protection from the elements, ReadyTrace™ includes a tinned copper braid for grounding and a polyolefin outer jacket with UV inhibitors to resist sun and weather-related damage. For easy installation, the system is prefabricated to various lengths, eliminating the need for complex measurements. It can be installed with ordinary hand tools, attaching to roofs with cable roof fasteners and routing through gutters and downspouts using cable hangers.

ReadyTrace™ keeps pipes and critical components above freezing and prevents ice buildup on roofs, gutters, downspouts, and catch basins. With simple installation, robust construction, and energy-efficient operation, it is ideal for commercial environments where reliable freeze protection is essential.



Key Features

- Thermon Heat Trace technology: High-grade heat trace made in the USA for superior performance and durability.
- Self-regulating technology: Automatically adjusts heat output based on ambient temperatures—increasing heat as it gets colder and reducing output when it gets warmer, maximizing energy efficiency
- Plug-and-Play Design: Comes with a pre-installed cord and lighted plug, eliminating the need for professional wiring.
- Currently Offered in 120V Only: While certified for both 120V and 240V, the 120V version is currently available for purchase.
- Purpose-built for Commercial Use: Perfect for industrial facilities, warehouses, and other commercial infrastructure requiring reliable freeze protection.
- Multi-Application Coverage: Designed for freeze protection of pipes and other components and deicing of roofs, gutters, downspouts, and catch basins.

What's Included

- 1 ReadyTrace™ electric heating cable (featuring Thermon heat trace technology)
- 1 Electric Heat Trace Warning Label to clearly indicate the presence of an electric heating device

Additional Items that may be Required

- **AL-20L Aluminum Tape:** secures heating cable in gutters to prevent movement during heavy rains. Use 1 foot of tape per foot of heating cable. Tape dimensions: 2" wide by 150' long.
- **RG-CRF Cable Roof Fastener:** Holds heating cables in place on most roof surfaces. Can be secured with screws or adhesive (not included).
- **RG-CMC Cable Mounting Clip:** For standing seam roofs, secures the cable with screws (not included).
- **RG-dc H downspout cable Hanger:** Protects cables from abrasion in downspouts and secures them to building fascia.
- **GFCI Outlet:** required for all ReadyTrace™ installations.
- **Thermostat control system**

Insulation (for Freeze Protection Only)

In freeze protection applications, insulation may improve performance and efficiency. While not provided, insulation helps retain heat, especially in extremely cold environments. Choose appropriate insulation material for your specific application

Environmental Use Guidelines

- Minimum installation temperature: -40°C (-40°F)
- Maximum exposure temperature (off): 60°C (140°F).
- Freeze Protection applications should not be powered on below -40°C (-40°F) to avoid tripping a breaker. This is because start up amps can exceed operating amps.
- Roof, Gutter, Downspout, and Catch basin applications should not be powered on below -20°C, (-4°F) to avoid tripping a circuit breaker. This is because start up amps can exceed operating amps.
- Not suitable for immersion or continuous submersion.
- Disconnect cables during warm seasons when not in use.

Installation Instructions

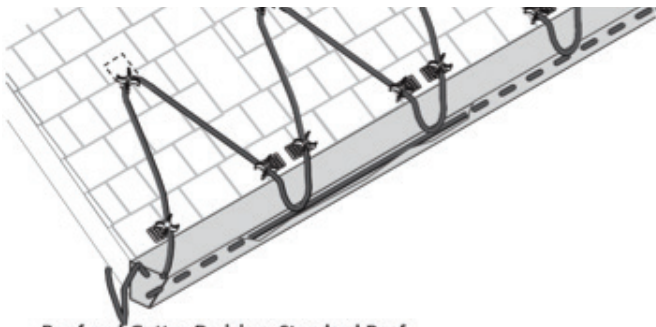
The readytrace™ heat trace system is versatile, designed for multiple commercial applications, including:

- Pipe Freeze Protection: Prevents water and process lines from freezing and protects critical components.
- Roof and Gutter Deicing: Prevents ice dams and keeps water flowing through gutters and downspouts.
- Catch basin and Downspout Heating: ensures water drains properly during winter.

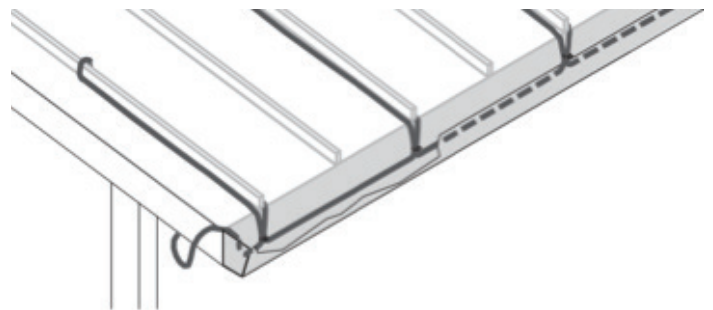
While each application has unique needs, the installation process is essentially the same for each application type. Follow these simple steps for a quick and reliable setup. For more information on selecting a heating cable and how they should be laid out, please refer to the readytrace™ roof and Gutter ice Melting Design Guide or consult a professional.

Applications

- roof, Gutter, Downspout, Catch Basin, and Drain Deicing.

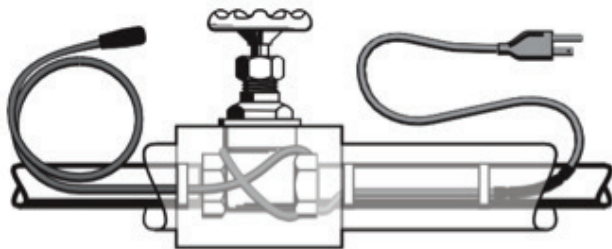


Roof and Gutter De-icing: Standard Roof



Roof and Gutter De-icing: Standing Seam Metal Roof

- Freeze protection for pipes and exposed surfaces.



Pipe Freeze Protection

Step-by-Step Installation Process General

- 1. Confirm the Correct Product** Upon receiving your ReadyTrace™ heating cable, verify that the correct type, voltage, and watt output have been received by checking the part number and product details printed on the product's cord tag.
 - 2. inspect for damage:** visually inspect the cable for any damage during shipping.
 - 3. Fire and shock Hazard Warning:** this product is an electrical device and requires proper installation to ensure safe operation. Carefully read all instructions and warnings in this manual.
 - 4. Clean the Area:** ensure the surface—whether pipe, roof, gutter, or downspout—is free from dirt, grease, leaves, or other debris to promote proper adhesion and performance. warnings in this manual.
 - 5. Compliance Requirements:** All installations must comply with the national electrical code (NEC) in the U.S. and Canadian electrical code Part I (CEC Part I) in Canada, as well as local codes. Use GFCI-protected outlets to maintain safety and warranty compliance.
 - 6. Do Not Plug in the Heater Until installation is complete:** only plug the heater into a functional GFCI-protected outlet after the entire installation has been completed and tested.
 - 7. Place the Heater Exactly Where Heat is Needed:** Lay the cable along pipes, around critical components, or in a sawtooth pattern along roof edges, inside gutters, or within downspouts. overlapping the cable is allowed and will not cause overheating, thanks to the self-regulating technology.
- For more advanced design recommendations, consult online design guides or a professional. These resources provide detailed guidance beyond the scope of this manual.
- 8. secure the Heater in Place:** Use approved accessories such as heat-resistant clips, roof clips, or aluminum tape to hold the cable securely every 12 to 18 inches. This prevents sagging or shifting during operation.
 - 9. Test cable integrity:** before installation, perform an ohm test. Using a 2500-vdc megohmmeter:
 - Blade-to-Blade: Confirm resistance matches the product cord tag, typically 10 to 400 ohms depending on length and temperature.
 - blade-to-Ground: ensure resistance exceeds 20 megohms to verify insulation.
 - 10. conduct a visual inspection:** inspect the installation thoroughly for any visible damage, sharp objects, or kinks that could compromise safety or performance.
 - 11. (Optional) Use an External Thermostat:** While not required, an external thermostat can add extra control by automatically turning the heater on or off based on ambient temperatures.
 - 12. Identification of Heat Tracing** before the circuit is energized, the equipment should be marked with labels clearly indicating that electrical heat tracing is present. one label should be visible from any location.
 - 13. Plug in and verify Performance:** to avoid tripping a circuit breaker, freeze protection applications should not be energized below -40F, and roof, Gutter, Downspout and catch basin application should not be energized below -20c (-4). once testing is complete, plug the heater into the GFCI outlet. the lighted plug should immediately illuminate indicating power is flowing to the heater
 - 14. Regularly inspect:** semiannually inspect the cable for damage, and to ensure the system is still installed properly.

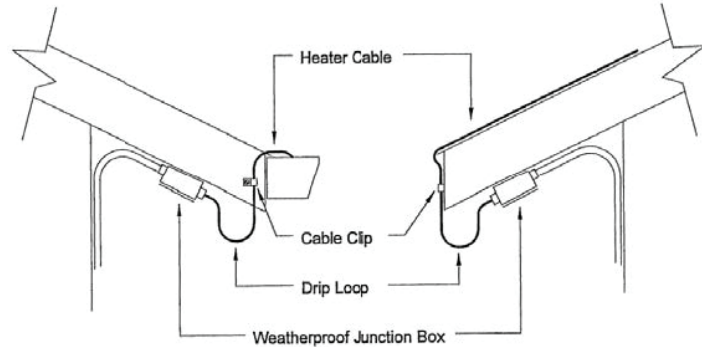


Additional Cable Layout Guidelines – Roof, Gutters, and Downspouts

- **cable Layout for Roof Overhangs:** the appropriate cable length and pattern depend on the roof material, pitch, and overhang size. Use roof clips (r G-cr F) to secure cables and add snow fences above large roof areas to prevent snow from damaging cables.
- **cable Layout for Gutters and downspouts:** Gutters and downspouts should be free of debris before installation. Attach cables along the bottom of gutters using AL-20L aluminum tape. Keep downspout cables inside and secured with cable hangers (r G-Dc H) to protect from abrasion. ensure the cable does not extend past the downspout opening to prevent damage.

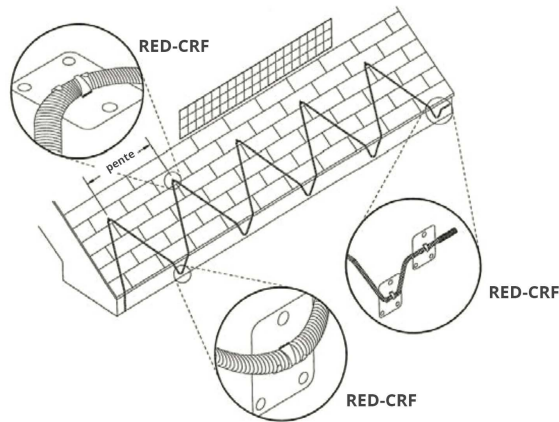
General Layout Tips

- install drip loops at GFci outlets to prevent water entry.
- Do not run cables through walls, ceilings, or floors
- For power connections, locate outlets under roof overhangs to protect them from direct weather exposure.
- r eadyt race™ is designed to melt ice, not accumulated snow.
- r eadyt race™ heating cable will not keep snow or ice from falling off the roof. snow fences or snow guards should be used to eliminate snow movement.
- **ReadyTrace™ heating cables may be used on:**
 - Roofs that are made from all types of standard roofing materials, including shake, shingle, rubber, tar, wood, metal, and plastic.
 - Gutters that are made from standard materials, including metal and plastic.
 - Downspouts that are made from standard materials, including metal and plastic.
- Do not install the heating cable underneath any roof covering.
- install the heating cable only in accessible locations; do not install behind walls or where the cable would be hidden.
- c onnect only to ground-fault protected outlets that have been installed in accordance with all prevailing national and local codes and standards and are protected from rain and other water.
- Article 426 of the national electrical c ode (nec), and Part 1, section 62 of the c anadian electrical c ode (cec), govern the installation of r eadyt race™ heating cables for roof and gutter de-icing and must be followed.



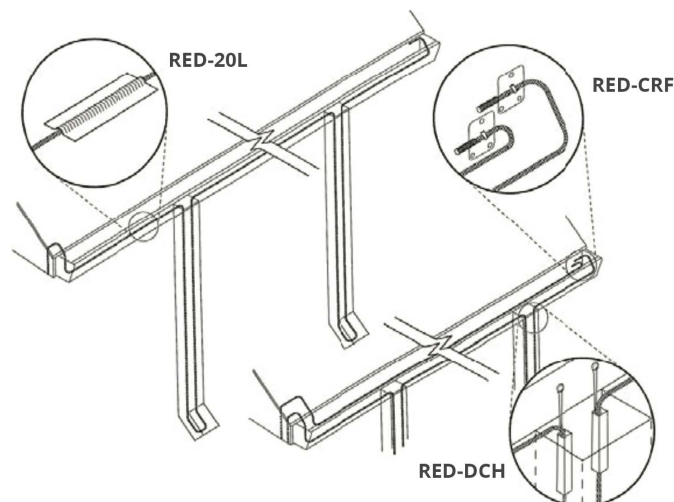
ReadyTrace™ Heating Cable Layout — Roof Overhang Only

1. Refer to the ReadyTrace™ Roof and Gutter Ice Melting Design Guide to determine appropriate heating cable lengths required, as well as spacing pitch required for various overhang distances and roof types.
2. The attachment clips should be anchored to the roof/fascia with fasteners or adhesive suited for the roof and the weather. A waterproofing sealant should be used wherever screws penetrate the roof or fascia.
3. Where large roof areas will be present above the heating cable a snow fence should be installed to prevent damage to the cable from sliding snow and ice.



ReadyTrace™ Heating Cable Layout — Gutter and Downspouts Only

1. Refer to the ReadyTrace™ Roof and Gutter Ice Melting Design Guide to determine appropriate heating cable lengths required for gutters and downspouts.
2. The attachment clips should be anchored to the fascia/gutter edge with fasteners or adhesive suited for the roof and the weather. A waterproofing sealant should be used wherever screws penetrate the gutter or fascia.
3. The heating cable should be attached to the bottom of the gutter with aluminum tape. Be sure the bottom surface of the gutter is clean to promote maximum adhesion of the tape.
4. Heating cable in the downspouts should not extend past the downspout opening to prevent vandalism.
5. Protect heating cable from sharp edges of gutter and downspouts.



Troubleshooting Guide

Issue	Possible Causes	Solution
Heater Does Not Warm Up	not plugged into GFci outlet; GFci is tripped; Damaged cable	Plug into GFci outlet; r eset GFci ; inspect for damage; t est ohms
Heater Trips GFCI Outlet	Moisture intrusion; Damaged wiring	inspect for damage or moisture intrusion; c heck resistance from each blade to ground
Heater Warms Unevenly	c able not secured properly; installation error	secure cable with clips; Adjust installation pattern
Heater Warms Continuously	incorrect thermostat settings; Poor sensor placement	Adjust thermostat; Move sensor if needed
Cable Too Long/ Short for Application	incorrect length ordered; installation issue	Order the correct length; Reinstall to fit properl
Visible Cable Damage	sharp objects or wear from shifting surfaces	Disconnect and replace

Warranty & Return Policy

- 2-year limited warranty from purchase date, covering manufacturing defects.
- excludes improper installation, misuse, or physical damage.
- For returns or replacements, contact Powerblanket @ (801) 506-0198

Compliance and Certification

- Certified to UL 515-2015 Ed. 2 and CSA C22.2#130:2016 Ed. 4
- installations must comply with nec in the U.S.
- in canada, follow cec Part 1.
- Use GFci -protected outlets to maintain compliance and warranty.

Legal Disclaimer

Powerblanket assumes no responsibility for damages caused by improper installation or use outside recommended applications. Users are responsible for ensuring compliance with all relevant codes, standards, and installation instructions.





Manuel de l'utilisateur

revision A — 27 MARS 2025

Présentation du produit

système de traçage thermique Plug-and-Play pour la protection contre le gel commercial, et toit et gouttière, trompe de pluie, dégivrage du bassin de capture.

Fabriqué par

Powerblanket, une société t hermon

Certifications et conformité



Version du document

version 1.1 | MARS 2025

Support et contact

Powerblanket.com

Table des matières

3. Mises en garde et précautions d'emploi

5. Présentation du produit

7. instructions d'installation

11. Guide de dépannage

11. informations sur la garantie

11. Certifications et conformité

11. Mentions légales

11. informations de support et de contact

Mises en garde et précautions d'emploi

Le système de suivi thermique ReadyTrace™ est conçu pour fournir une protection contre le gel commerciale sûre et fiable, des toits et des gouttières, des tuyaux de descente et des dispositifs de dégivrage des bassins collecteurs. Cependant, une mauvaise installation ou utilisation peut entraîner des risques pour la sécurité, notamment un choc électrique, un incendie ou des dommages à l'équipement. Pour garantir un fonctionnement sûr et une performance optimale, veuillez lire et suivre toutes les instructions de sécurité de ce manuel.

Cette section décrit les principales consignes de sécurité à suivre lors de l'installation, de l'utilisation et de la maintenance du système ReadyTrace™. Toujours donner la priorité à la sécurité en suivant les codes et les réglementations électriques locales. Demandez l'aide d'un professionnel si vous n'êtes pas sûr de la procédure d'installation.

Le non-respect de ces précautions peut annuler la garantie et entraîner des blessures corporelles ou des dommages matériels. Gardez ce manuel accessible pour référence ultérieure.

Avertissement	Description
Utilisation Prévue	Ce produit est destiné à la protection antigel commerciale et pour les toits et gouttières, descentes pluviales, bassins de captation et déglçage de drains. Il n'est pas destiné à un usage résidentiel ou à d'autres applications.
Conformité au Code	L'installation doit être conforme au Code canadien de l'électricité, Partie I (CEC Partie I) et au Code national de l'électricité (NEC), selon les besoins.
Mise à la Terre et GFCI	Assurez-vous que le système de câbles est correctement mis à la terre et protégé par un disjoncteur de fuite à la terre (GFCI). Notez que les GFCI peuvent se dégrader avec le temps ; testez-les régulièrement conformément aux directives du fabricant.
Composants Endommagés	N'utilisez pas de câbles chauffants, de cordons d'alimentation ou de prises endommagés. Remplacez immédiatement tout composant endommagé pour éviter les risques d'incendie, de choc électrique ou d'arc électrique.
Risque de Choc Électrique et d'Incendie	RISQUE DE CHOC ÉLECTRIQUE ET D'INCENDIE : Une mauvaise installation ou des câbles endommagés peuvent entraîner un incendie ou un choc électrique, causant des blessures graves ou des dommages matériels. Utilisez uniquement des méthodes de fixation approuvées. Les méthodes non approuvées (p. ex., attaches, colliers de serrage, agrafes) sont interdites car elles peuvent endommager le câble.
Sécurité du Circuit Électrique	Toujours déconnecter l'alimentation avant de commencer l'installation ou la maintenance.
Indication du Dispositif	Utilisez des panneaux de mise en garde ou des marquages visibles pour indiquer clairement la présence de dispositifs chauffants.
Fonctionnement Saisonnier	Désactivez le système de câbles pendant les saisons chaudes lorsque les températures dépassent 15°C (60°F).
Inspections Régulières	Inspectez le système de câbles deux fois par an pour détecter tout dommage et confirmer le bon fonctionnement.
Emplacements d'Installation Interdits	Ne pas installer le câble chauffant à l'intérieur des tuyaux ou dans un endroit constamment immergé.
Restrictions d'Enfouissement	Les câbles chauffants ne doivent pas être enterrés.
Installation de l'Embout	Installez l'extrémité de l'embout du câble chauffant verticalement pour éviter l'infiltration d'eau et les courts-circuits.
Utilisation de Rallonge	Lors de l'utilisation d'une rallonge, assurez-vous qu'elle est conçue pour supporter l'intensité maximale de l'appareil de chauffage.
Matériaux Inflammables	RISQUE D'INCENDIE : Ne pas installer le câble chauffant sur, sous, ou à proximité de matériaux inflammables. Si recouvert d'isolation, assurez-vous que l'isolation est non inflammable et ne retient pas la flamme.
Rayon de Courbure Minimum	À -40°C (-40°F), le rayon de courbure minimum pour le câble chauffant est de 32 mm (1-1/4").
Méthodes de Fixation Approuvées	Installez uniquement en utilisant les méthodes de fixation approuvées par ReadyTrace: Ruban d'aluminium AL-20L pour les tuyaux et les vannes, Clips de dégivrage RG-CRF pour les toits, Clips RG-CMC où approprié, et Cintres RG-DCH pour descentes pluviales. Voir le guide des accessoires ReadyTrace pour plus de détails.



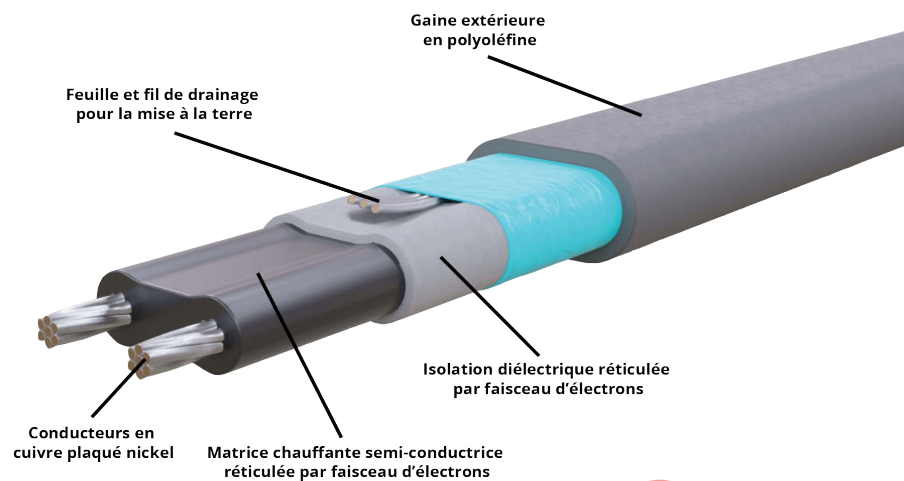
Présentation du produit

Le système readytrace™ est une solution plug-and-play conçue pour offrir une protection contre le gel et un dégivrage de qualité commerciale pour les applications critiques. Fabriqué avec la technologie thermom de haute qualité de traçage thermique, fabriqué aux États-Unis, readytrace offre des performances et une durabilité supérieures, surpassant les alternatives moins chères et fabriquées à l'étranger.

Au cœur de readytrace™ se trouve la technologie d'autorégulation avancée. Lorsque les températures chutent, le système augmente automatiquement la production de chaleur pour assurer une protection optimale contre le gel. Lorsque les températures augmentent, le rendement est réduit, ce qui permet d'économiser de l'énergie. ce contrôle thermique dynamique assure efficacité énergétique et sécurité en n'utilisant que la chaleur nécessaire aux conditions actuelles.

Pour assurer une protection durable contre les éléments, readytrace™ comprend une tresse en cuivre étamé pour la mise à la terre et une enveloppe extérieure en polyoléfine avec des inhibiteurs Uv pour résister au soleil et aux dommages liés aux conditions météorologiques. Pour une installation facile, le système est préfabriqué à différentes longueurs, éliminant la nécessité de mesures complexes. il peut être installé avec des outils à main ordinaires, attaché aux toits avec des attaches de toit de câble et router à travers les gouttières et les tuyaux de descente en utilisant des cintres à câble.

readytrace™ maintient les tuyaux et les composants critiques au-dessus du point de congélation et empêche l'accumulation de glace sur les toits, les gouttières, les tuyaux de descente et les bassins récepteurs. Avec une installation simple, une construction robuste et un fonctionnement économe en énergie, il est idéal pour les environnements commerciaux où une protection fiable contre le gel est essentielle



ReadyTrace

Principales caractéristiques

- thermostat Heat trace technology : thermostat thermique de haute qualité fabriquée aux États-Unis pour des performances et une durabilité supérieures.
- technologie d'autorégulation : Ajuste automatiquement la production de chaleur en fonction des températures ambiantes, en augmentant la chaleur lorsqu'elle se refroidit et en réduisant la production lorsqu'elle se réchauffe, ce qui maximise l'efficacité énergétique
- conception Plug-and-Play : livré avec un cordon préinstallé et une prise éclairée, éliminant le besoin de câblage professionnel.
- Actuellement offert en 120V seulement : Bien que certifié pour 120V et 240V, la version 120V est actuellement disponible à l'achat.
- conçu spécialement pour un usage commercial : Parfait pour les installations industrielles, les entrepôts et autres infrastructures commerciales nécessitant une protection fiable contre le gel.
- couverture multi-applications : conçu pour la protection contre le gel des tuyaux et autres composants et le dégivrage des toits, des gouttières, des tuyaux de descente et des bassins récepteurs.

Éléments inclus

- 1 câble chauffant électrique Readytrace™ (avec technologie thermostat de traçage thermique)
- 1 étiquette d'avertissement de traçage de chaleur électrique pour indiquer clairement la présence d'un dispositif de chauffage électrique

Éléments supplémentaires pouvant être requis

- **Ruban d'aluminium AL-20L**: fixe le câble chauffant dans les gouttières pour empêcher le mouvement pendant les fortes pluies. Utiliser 1 pied de ruban adhésif par pied de câble chauffant. Dimensions du ruban : 2 » de large sur 150' de long.
- **Fixation de toit de câble RG-c RF**: maintient les câbles de chauffage en place sur la plupart des surfaces du toit. Peut être fixé avec des vis ou de l'adhésif (non inclus)
- **clip de montage du câble RG-c Mc**: Pour les toits à joints debout, fixe le câble avec des vis (non inclus).
- **RG-dc H downspout cable Hanger**: Protège les câbles de l'abrasion dans les tuyaux de descente et les fixe au fascia du bâtiment.
- **GFCi Outlet**: requis pour toutes les installations Readytrace™.
- **système de contrôle de thermostat**

Isolation (Pour La Protection Contre Le Gel Uniquement)

Dans les applications de protection contre le gel, l'isolation peut améliorer les performances et l'efficacité. Bien qu'elle ne soit pas fournie, l'isolation aide à retenir la chaleur, en particulier dans les environnements extrêmement froids. Choisissez le matériau d'isolation approprié pour votre application spécifique.

Lignes Directrices D'Utilisation Environnementale

- température minimale d'installation : -40°C (-40°F)
- Maximum exposure temperature (off): 60°C (140°F).
- Les applications Freeze Protection ne doivent pas être mises sous tension en dessous de -40°C (-40°F) pour éviter le déclenchement d'un disjoncteur. en effet, les ampères de démarrage peuvent dépasser les ampères de fonctionnement.
- Les applications de toit, de gouttière, de bec verseur et de bassin verseur ne doivent pas être mises sous tension en dessous de -20°C, (-4°F) pour éviter le déclenchement d'un disjoncteur. en effet, les ampères de démarrage peuvent dépasser les ampères de fonctionnement.
- ne convient pas à l'immersion ou à l'immersion continue.
- Débranchez les câbles pendant les saisons chaudes lorsqu'ils ne sont pas utilisés.

Instructions d'installation

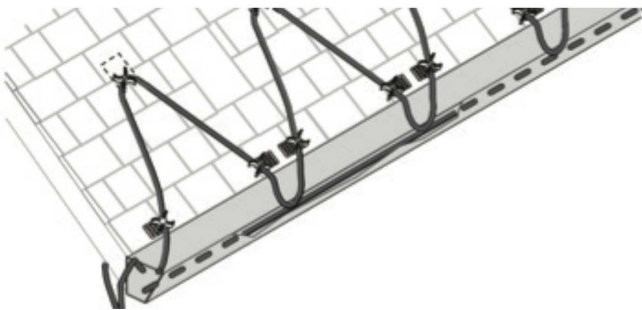
Le système readytrace™ est polyvalent et conçu pour de multiples applications commerciales, notamment:

- Protection contre le gel des tuyaux : empêche l'eau et les chaînes de traitement de geler et protège les composants critiques.
- Dégivrage du toit et des gouttières : empêche les barrages de glace et maintient l'eau dans les gouttières et les tuyaux de descente.
- catch basin and Downspout c chauffage : Assure un drainage correct de l'eau en hiver.

bien que chaque application ait des besoins uniques, le processus d'installation est essentiellement le même pour chaque type d'application. Suivez ces étapes simples pour une configuration rapide et fiable. Pour plus d'informations sur le choix d'un câble chauffant et la façon dont il doit être disposé, veuillez consulter le Guide de conception de la fonte des glaces de toit et de gouttière readytrace™ ou consulter un professionnel.

Applications

- Dégivrage du toit, de la gouttière, du bassin versant, du bassin collecteur et du drain

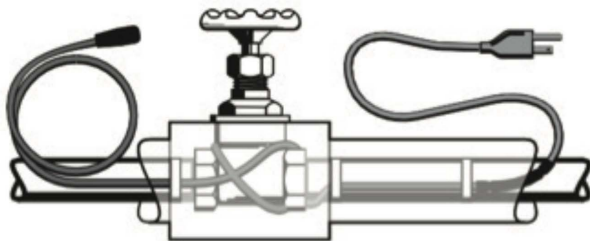


Déglaçage de toit et gouttière : toit standard



Déglaçage de toit et gouttière : toit en métal à joints debout

- Protection contre le gel pour tuyaux et surfaces exposées



Protection contre le gel des tuyaux

Processus d'installation étape par étape Général

- 1. Confirmez le bon produit** Lors de la réception de votre câble de chauffage ReadyTrace™, vérifiez que le type, la tension et la puissance électrique corrects ont été reçus en vérifiant le numéro de pièce et les détails du produit imprimés sur l'étiquette de cordon du produit.
- 2. Vérifier s'il n'est pas endommagé** Vérifiez visuellement que le câble n'est pas endommagé pendant l'expédition.
- 3. Avertissement de risque d'incendie et de choc:** ce produit est un appareil électrique et nécessite une installation appropriée pour assurer un fonctionnement sûr. Lisez attentivement toutes les instructions et tous les avertissements de ce manuel.
- 4. Nettoyer la zone:** s'assurer que la surface (tuyau, toit, gouttière ou bec verseur) est exempte de saleté, de graisse, de feuilles ou d'autres débris pour favoriser une adhérence et une performance appropriées.
- 5. Exigences de conformité:** toutes les installations doivent être conformes au code national de l'électricité (NEC) aux États-Unis et au code canadien de l'électricité (CEC Part I) au Canada, ainsi qu'aux codes locaux. Utilisez des prises de courant protégées par GFCI pour garantir la sécurité et la conformité à la garantie.
- 6. Ne branchez pas le chauffage avant la fin de l'installation** ne branchez le chauffage dans une prise de courant fonctionnelle protégée par GFCI qu'une fois l'installation complète terminée et testée.
- 7. Placez le réchauffeur exactement à l'endroit où la chaleur est nécessaire:** posez le câble le long des tuyaux, autour des composants critiques ou en dents de scie le long des bords du toit, à l'intérieur des gouttières ou dans les tuyaux de descente. Le chevauchement du câble est autorisé et ne provoquera pas de surchauffe, grâce à la technologie d'autorégulation.
Pour des recommandations de conception plus avancées, consultez des guides de conception en ligne ou un professionnel. Ces ressources fournissent des conseils détaillés qui vont au-delà de la portée du présent manuel.
- 8. Fixez le réchauffeur en place :** Utilisez des accessoires approuvés tels que des clips résistants à la chaleur, des clips de toit ou du ruban d'aluminium pour maintenir le câble en toute sécurité tous les 12 à 18 pouces. Ceci évite l'affaissement ou le déplacement en cours de fonctionnement.
- 9. Tester l'intégrité du câble:** Avant l'installation, effectuez un test ohm. Utilisation d'un mégohmmètre 2500 vdc:
 - Lame à lame : Confirmez que la résistance correspond à l'étiquette du cordon du produit, généralement de 10 à 400 ohms selon la longueur et la température.
 - Lame à la terre : Assurez-vous que la résistance dépasse 20 mégohms pour vérifier l'isolation
- 10. Effectuez une inspection visuelle:** Inspectez soigneusement l'installation afin de détecter tout dommage visible, objet pointu ou entaille qui pourrait compromettre la sécurité ou les performances.
- 11. (Facultatif) Utilisez un thermostat externe:** bien que cela ne soit pas nécessaire, un thermostat externe peut ajouter un contrôle supplémentaire en allumant ou en éteignant automatiquement le chauffage en fonction des températures ambiantes.
- 12. Identification du traçage thermique** Avant que le circuit ne soit sous tension, l'équipement doit porter des étiquettes indiquant clairement qu'un traçage électrique de la chaleur est présent. Une étiquette doit être visible de n'importe quel endroit.
- 13. Branchez et vérifiez les performances** Pour éviter de déclencher un disjoncteur, les applications de protection contre le gel ne doivent pas être alimentées en dessous de -40F, et les applications de toit, de gouttière, de bec verseur et de bassin verseur ne doivent pas être alimentées en dessous de -20c (-4). Une fois les tests terminés, branchez le chauffage dans la prise GFCI. La fiche éclairée doit s'allumer immédiatement pour indiquer que le chauffage est alimenté.
- 14. inspecter régulièrement:** Vérifiez deux fois par an que le câble n'est pas endommagé et que le système est toujours correctement installé.



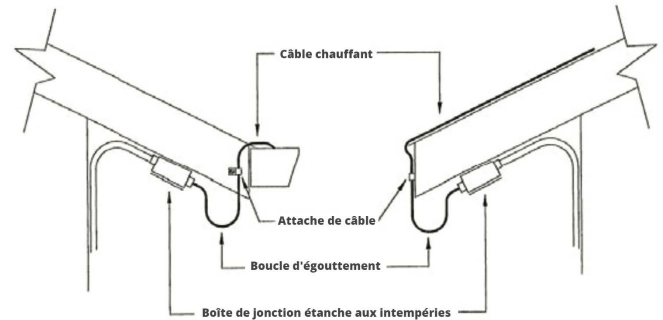
Instructions supplémentaires relatives à la disposition des câbles – Toit, caniveaux et tuyaux de descente

– **disposition des câbles pour les débordements de toit:** la longueur et le motif de câble appropriés dépendent du matériau du toit, de la hauteur et de la taille du débordement. Utilisez des attaches de toit (r G-cr F) pour fixer les câbles et ajouter des clôtures anti-neige au-dessus des grandes surfaces de toit pour éviter que la neige n'endommage les câbles.

– **disposition des câbles pour les gouttières et les tuyaux de descente:** les gouttières et les tuyaux de descente doivent être exempts de débris avant l'installation. Fixez les câbles le long du fond des gouttières à l'aide du ruban d'aluminium AL-20L. Maintenez les câbles du tube de descente à l'intérieur et fixez-les à l'aide de cintres (r G-Dc H) pour les protéger de l'abrasion. Assurez-vous que le câble ne dépasse pas l'ouverture du bec verseur pour éviter tout dommage.

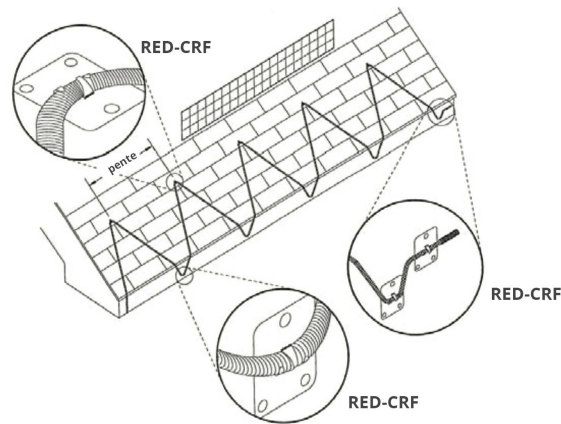
Conseils de mise en page générale

- installer des boucles d'égouttement aux sorties GFCi pour empêcher l'entrée d'eau.
- ne faites pas passer de câbles à travers les murs, les plafonds ou les planchers.
- Pour les branchements électriques, placez les prises sous les toits pour les protéger des intempéries.
- ReadyTrace™ est conçu pour faire fondre la glace et non la neige accumulée.
- Le câble chauffant ReadyTrace™ n'empêchera pas la neige ou la glace de tomber du toit. Des clôtures à neige ou des protections antineige doivent être utilisées pour éliminer les mouvements de neige.
- **Les câbles chauffants ReadyTrace™ peuvent être utilisés sur:**
 - Les toits sont fabriqués à partir de tous les types de matériaux de toiture standard, y compris le tremblement, le bardeau, le caoutchouc, le goudron, le bois, le métal et le plastique.
 - Les gouttières sont fabriquées à partir de matériaux standard, y compris le métal et le plastique.
 - Les tuyaux de descente sont fabriqués à partir de matériaux standard, y compris le métal et le plastique.
- ne pas installer le câble chauffant sous un revêtement de toit.
- installez le câble chauffant uniquement dans des endroits accessibles; ne l'installez pas derrière des murs ou à un endroit où le câble serait caché.
- se connecter uniquement à des prises de courant protégées contre les défauts à la terre qui ont été installées conformément à tous les codes et normes nationaux et locaux en vigueur et qui sont protégées de la pluie et d'autres eaux.
- L'article 426 du code national de l'électricité (nec) et l'article 62 de la partie 1 du code canadien de l'électricité (cce) régissent l'installation des câbles chauffants ReadyTrace™ pour le dégivrage du toit et de la gouttière et doivent être respectés.



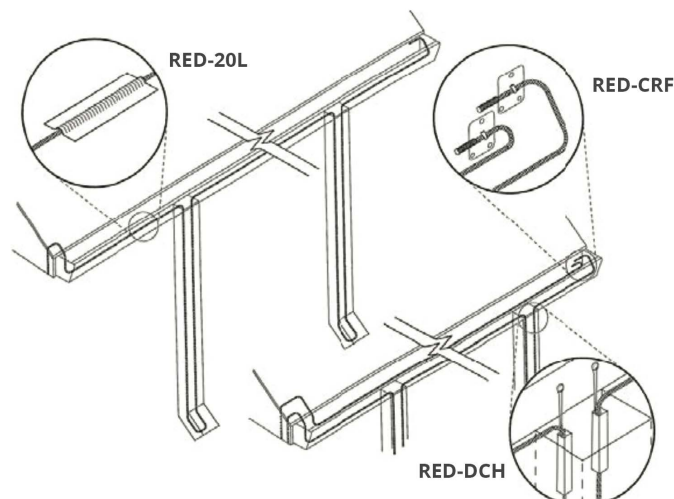
Disposition des câbles de chauffage ReadyTrace™ – Porte-à-faux du toit uniquement

1. Consultez le Guide de conception de la fonte des glaces de toit et de gouttière ReadyTrace™ pour déterminer les longueurs de câbles de chauffage appropriées requises, ainsi que le pas d'espacement requis pour les différentes distances de porte-à-faux et les différents types de toit.
2. Les clips de fixation doivent être ancrés au toit/fascia avec des fixations ou de l'adhésif adapté au toit et aux conditions météorologiques. Un scellant imperméabilisant doit être utilisé partout où les vis pénètrent dans le toit ou le fascia.
3. Lorsque de grandes surfaces de toit seront présentes au-dessus du câble chauffant, une barrière anti-neige devrait être installée pour empêcher que la neige et la glace glissent sur le câble et endommagent celui-ci.



Disposition des câbles de chauffage ReadyTrace™ – gouttières et tuyaux de descente uniquement

1. Reportez-vous au Guide de conception de la fonte des glaces de toit et de gouttière ReadyTrace™ pour déterminer les longueurs de câbles de chauffage appropriées requises pour les gouttières et les tuyaux de descente.
2. Les clips de fixation doivent être ancrés au bord du fascia/gouttière avec des attaches ou de l'adhésif adaptés au toit et aux intempéries. Un scellant imperméabilisant doit être utilisé partout où les vis pénètrent dans la gouttière ou le fascia.
3. Le câble chauffant doit être fixé au fond de la gouttière avec du ruban d'aluminium. Assurez-vous que la surface inférieure de la gouttière est propre pour favoriser une adhérence maximale du ruban.
4. Le câble chauffant dans les tuyaux de descente ne doit pas s'étendre au-delà de l'ouverture du tuyau de descente pour empêcher le vandalisme.
5. Protéger le câble chauffant des bords tranchants de la gouttière et des tuyaux de descente.



Guide de dépannage

Problème	Causes Possibles	Solutions
Le Chauffage Ne Se Réchauffe Pas	Pas branché dans une prise GFCI; Le GFCI est déclenché; Câble endommagé	Branchez dans une prise GFCI; Réinitialisez le GFCI; Vérifiez s'il y a des dommages; Testez les ohms
Le Chauffage Déclenche le GFCI	Infiltration d'humidité; Câblage endommagé	Inspectez pour détecter des dommages ou une infiltration d'humidité; Vérifiez la résistance de chaque lame à la terre
Chauffage Inégal	Câble mal sécurisé; Erreur d'installation	Sécurisez le câble avec des clips; Ajustez le schéma d'installation
Chauffage Continu	Réglages du thermostat incorrects; Mauvais emplacement du capteur	Ajustez le thermostat; Déplacez le capteur si nécessaire
Câble Trop Long/Court pour l'Application	Longueur incorrecte commandée; Problème d'installation	Commandez la longueur correcte; Réinstallez pour un bon ajustement
Câble Endommagé Visible	Objets tranchants ou usure causée par des surfaces en mouvement	Déconnectez et remplacez

Politique de garantie et de retour

- Garantie limitée de 2 ans à partir de la date d'achat, couvrant les défauts de fabrication.
- exclut une installation incorrecte, une mauvaise utilisation ou des dommages physiques.
- Pour les retours ou les remplacements, contactez Powerblanket @ (801) 506-0198

Présentation de la conformité et de la certification

- Certifié UL 515-2015 Ed. 2 and CSA C22.2#130:2016 Ed. 4
- Les installations doivent être conformes à la norme nec aux États-Unis.
- Au Canada, suivez cec Part 1.
- Utilisez des prises protégées par GFCi pour garantir la conformité et la garantie.

Clause de non responsabilité

Powerblanket n'assume aucune responsabilité pour les dommages causés par une installation incorrecte ou une utilisation en dehors des applications recommandées. Les utilisateurs sont responsables de la conformité à tous les codes, normes et instructions d'installation pertinents.

